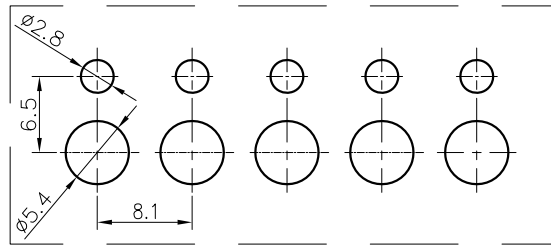
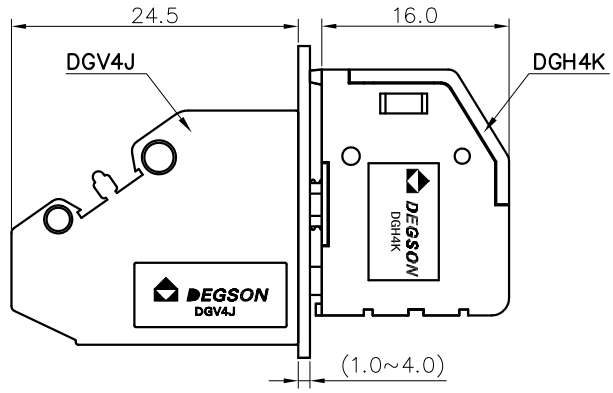


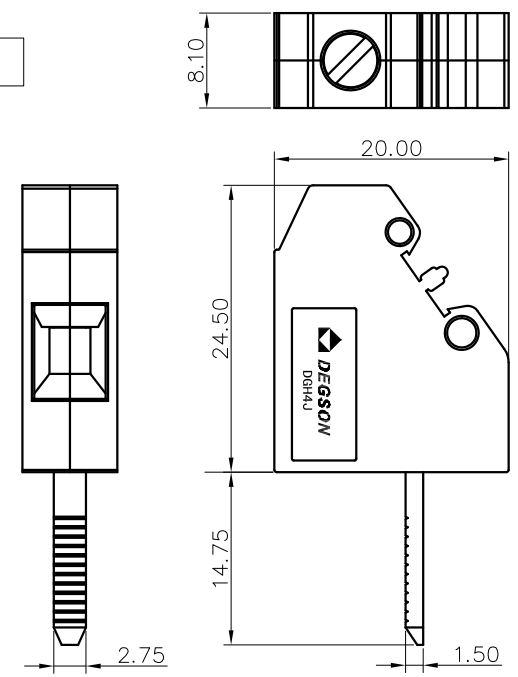
H
G
F
E
D
C
B
A



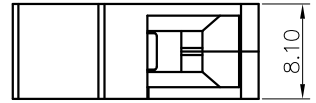
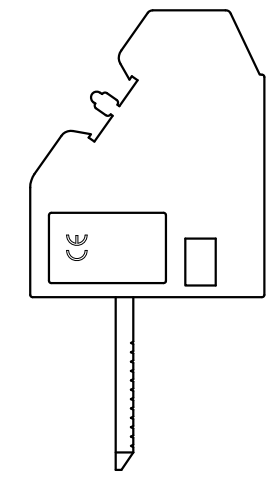
PCB LAYOUT

DG4VJ-01P-1Y-00AH

DGH4K-01P-1Y-00AH



REVISION RECORD				
REV	ECN	DESCRIPTION	DRFT	DATE



NOTES1:
UL Standard
1.Rated voltage/current : 300V / 30A
2.Withstanding voltage : AC1600V/1Min.
3.Torque value : M3 , 4.43Lb.in
4.Wire range : 30~10AWG

NOTES2:
1.Dimension shall be interpreted per ASME Y14.5-2009
2.Pitch : 8.1mm, Poles : N=01P
3.Stripping length : 9.0mm
4.Operating temperature: -40°C~+105°C
6.Undimensioned tolerances:

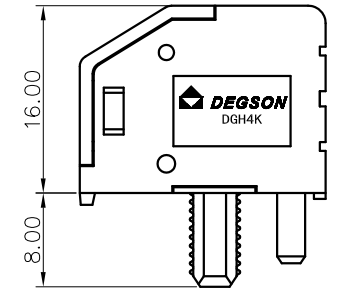
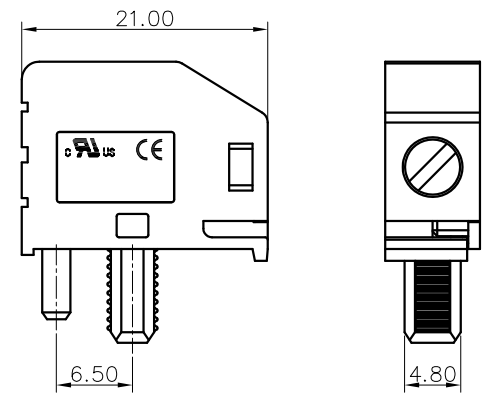
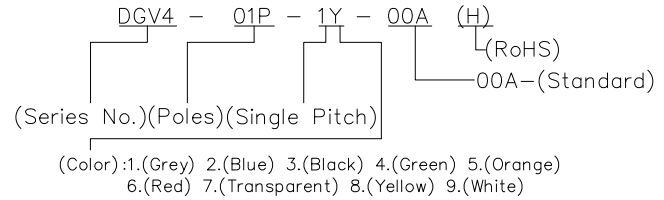
IEC Standard

1. Pollution degree	3
Overvoltage category	III
Rate impulse voltage(KV)	6KV
Rate voltage(V)	400V
Rate current(A)	41A

Pitch range in mm		Nominal dimension range in mm				0.1/10	±2'
TO	TO	TO	TO	TO	TO		
6	10	6	10	30	60	100	150
±0.15	±0.20	±0.30	±0.30	±0.50	±0.70	±1.00	±1.30

2.Torque value : M3 , 0.5N·m
3.Wire range : 0.2~4mm²
6mm²(Sol)

7.RoHS Compliance



DETACHED LISTS	PART NO.:	/			
	APPD:	/			
	CHKD:	/			
	DRFT:	/			
	THIRD ANGLE PROJECTION	/			
NAME:		NINGBO DEGSON ELECTRICAL CO., LTD			
TITLE:		CUSTOMER DRAWING			
DRAWING NO.:		/			
DO NOT SCALE DRAWING		REV	D0		
SCALE		SHEET	1/1		
MM (INCH)		SCALE	1:1		

H
G
F
E
D
C
B
A