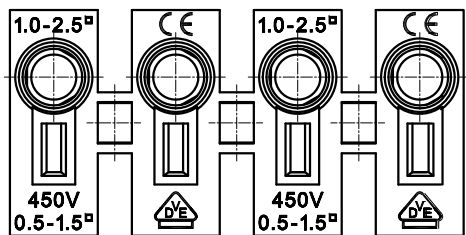
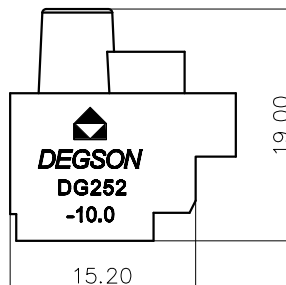
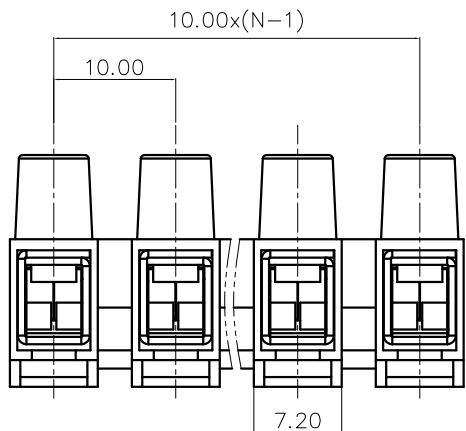
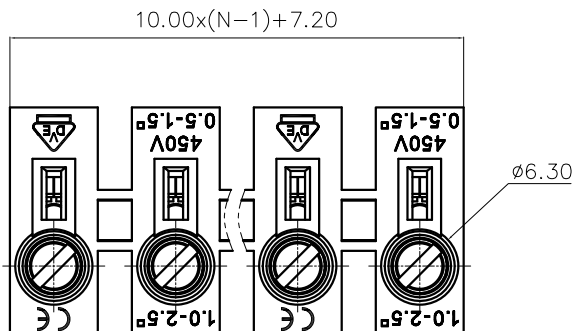


REVISION RECORD				
REV	ECN	DESCRIPTION	DRFT	DATE



NOTES1:

UL Standard

- 1.Rated Voltage/Current : 300V / 10A
- 2.Torque Value : M3.5 , 7.02Lb.in
- 3.Wire Range : 22~16AWG

IEC Standard

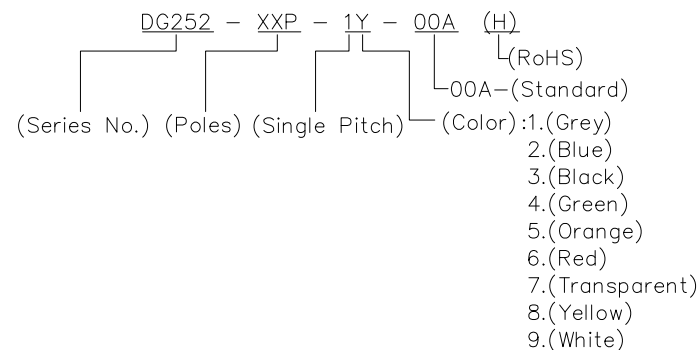
- 1.Rated Voltage/Current : 450V / 17.5A
- 2.Torque Value : M3.5 , 0.8N·m
- 3.Wire Range : Screwless 0.5~1.5mm²
Screw 1.0~2.5mm²

NOTES2:

- 1.Dimension shall be interpreted per ASME Y14.5-2009
- 2.Pitch : 10.00mm, Poles : N=02~12P
- 3.Stripping length : 8mm
- 4.Withstanding Voltage : AC2000V/1Min.
- 5.Operating temperature: -40°C~+105°C
- 6.Undimensioned Tolerances:

Pitch range in mm	Nominal dimension range in mm						0.1/10		
	Over 6 TO 6	Over 10 TO 24	Over 30 TO 30	Over 60 TO 60	Over 100 TO 150	Over 150			
	±0.15	±0.20	±0.30	±0.30	±0.50	±0.70	±1.00	±1.30	±2*

7.RoHS Compliance



DETACHED LISTS	PART NO.:	/			宁波高松电子有限公司 NINGBO DEGSON ELECTRICAL CO., LTD	
	APPD:	/			NAME: DG252-XXP-1Y-00A(H)	
	CHKD:	/			TITLE: CUSTOMER DRAWING	
	DRFT:	/			REV	DO
			DRAWING NO.:	/		SHEET
THIRD ANGLE PROJECTION		MM (INCH)	DO NOT SCALE DRAWING	SCALE	1:1	