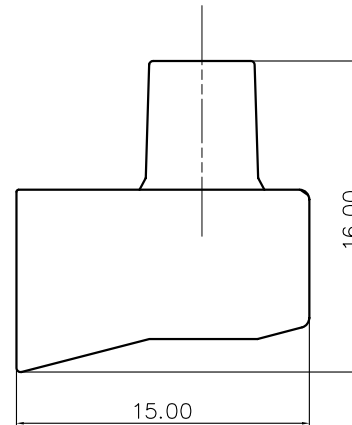
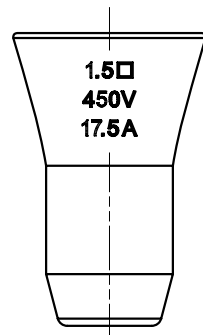
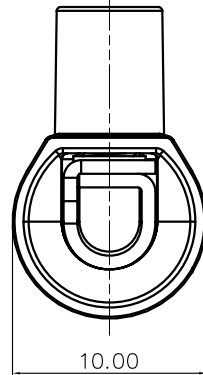
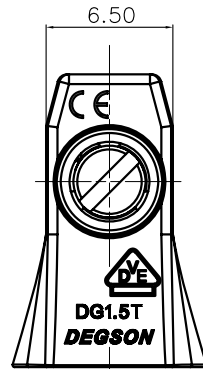


REVISION RECORD

REV	ECN	DESCRIPTION	DRFT	DATE
-----	-----	-------------	------	------



NOTES1:

IEC Standard

- 1.Rated Voltage/Current : 450V / 17.5A
- 2.Torque Value : M3 , 0.5N·m
- 3.Wire Range : 0.5~1.5mm²

NOTES2:

- 1.Dimension shall be interpreted per ASME Y14.5-2009
- 2.Pitch : 10.00mm, Poles : N=01P
- 3.Stripping length : 8mm
- 4.Withstanding Voltage : AC2500V/1Min.
- 5.Operating temperature: -40°C~+110°C
- 6.Undimensioned Tolerances:

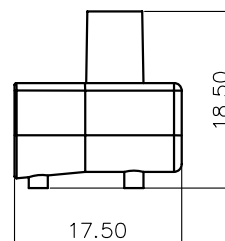
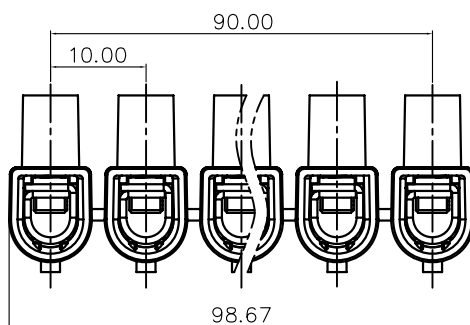
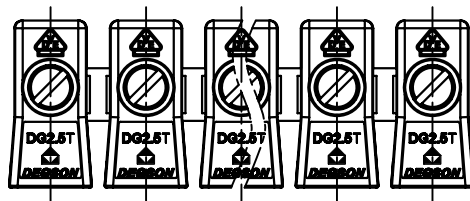
Pitch range in mm		Nominal dimension range in mm				Tolerances		
TO	Over TO	TO	Over TO	TO	Over TO	0.1/10	∠	
6	10	30	60	100	150	∠	∠	
±0.15	±0.20	±0.30	±0.30	±0.50	±0.70	±1.00	±1.30	±2°

7.RoHS Compliance

DG1.5T - 01P - 1Y - 100A (H)
 (Series No.) (Poles) (Single Pitch) (Color):1.(Grey)
 2.(Blue)
 3.(Black)
 4.(Green)
 5.(Orange)
 6.(Red)
 7.(Transparent)
 8.(Yellow)
 9.(White)

DETACHED LISTS	PART NO.:	/			宁波高松电子有限公司 NINGBO DEGSON ELECTRICAL CO., LTD	
	APPD:	/	NAME: DG1.5T-01P-1Y-100A(H)			
	CHKD:	/	TITLE: CUSTOMER DRAWING			
	DRFT:	/	DRAWING NO.:		REV	DO
THIRD ANGLE PROJECTION		DO NOT SCALE DRAWING		SHEET	1/1	
		MM (INCH)		SCALE	1:1	

REVISION RECORD				
REV	ECN	DESCRIPTION	DRFT	DATE



NOTES1:

IEC Standard

- 1.Rated Voltage/Current : 450V / 24A
- 2.Torque Value : M3.5 , 0.8N·m
- 3.Wire Range : 0.75~2.5mm²

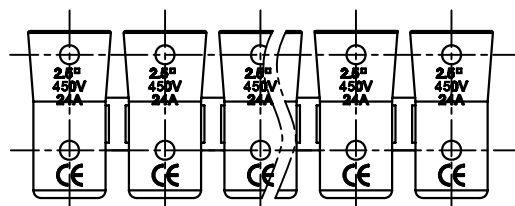
NOTES2:

- 1.Dimension shall be interpreted per ASME Y14.5-2009
- 2.Pitch : 10.00mm, Poles : N=10P
- 3.Stripping length : 8mm
- 4.Withstanding Voltage : AC2500V/1Min.
- 5.Operating temperature: -40°C~+110°C
- 6.Undimensioned Tolerances:

Pitch range in mm		Nominal dimension range in mm						
Over TO	Over TO	Over TO	Over TO	Over TO	Over TO	0.1/10	∠	
6	10	10	30	60	100	150		
6	24	30	60	100	150			
±0.15	±0.20	±0.30	±0.30	±0.50	±0.70	±1.00	±1.30	
							±2'	

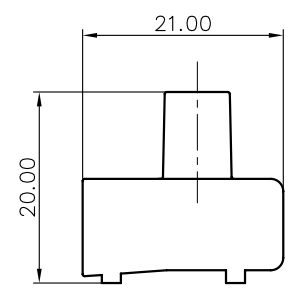
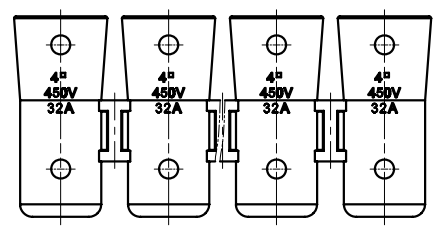
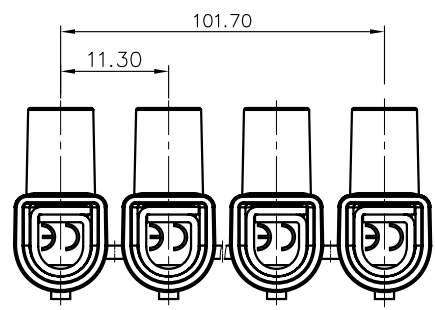
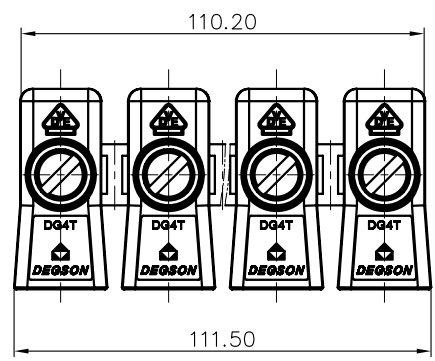
7.RoHS Compliance

DG2.5T - 10P - 17 - 100A (H)
 (Series No.) (Poles) (Single Pitch) (Color):7.(Transparent)
 (RoHS)
 100A-(Standard)



DETACHED LISTS	PART NO.:	NINGBO DEGSON ELECTRICAL CO., LTD			
	APPD:	NAME: DG2.5T-10P-17-100A(H)			
	CHKD:	TITLE: CUSTOMER DRAWING			
	DRFT:	DRAWING NO.:		REV	DO
THIRD ANGLE PROJECTION		MM (INCH)	DO NOT SCALE DRAWING	SHEET	1/1
			SCALE	1:1	

REVISION RECORD				
REV	ECN	DESCRIPTION	DRFT	DATE



NOTES1:

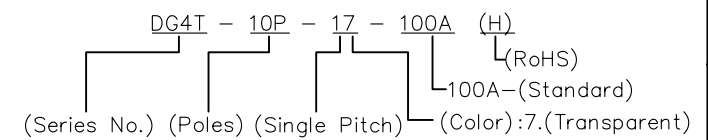
- IEC Standard
- 1.Rated Voltage/Current : 450V / 32A
- 2.Torque Value : M4 , 1.2N·m
- 3.Wire Range : 1.0~4.0mm²

NOTES2:

- 1.Dimension shall be interpreted per ASME Y14.5-2009
- 2.Pitch : 11.30mm, Poles : N=10P
- 3.Stripping length : 8mm
- 4.Withstanding Voltage : AC2500V/1Min.
- 5.Operating temperature: -40°C~+110°C
- 6.Undimensioned Tolerances:

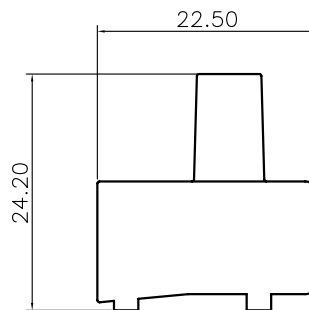
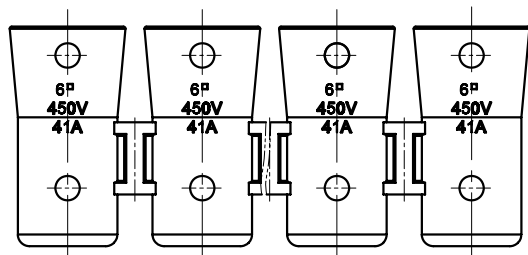
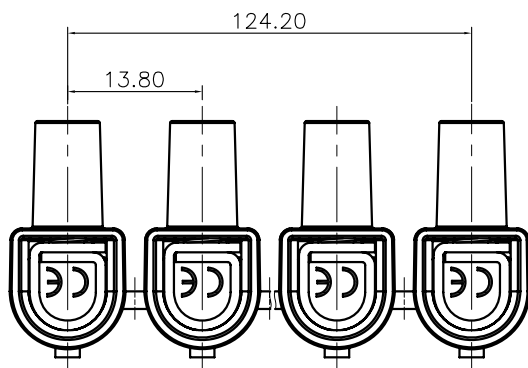
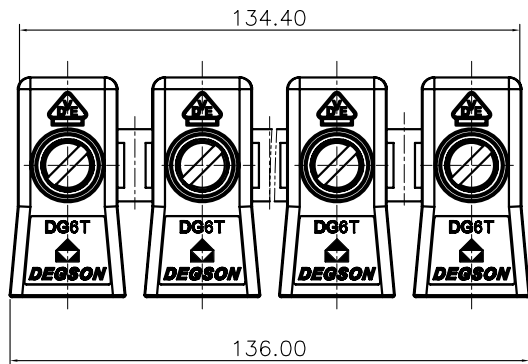
Pitch range in mm		Nominal dimension range in mm					Tolerances	
Over TO	Over TO	Over TO	Over TO	Over TO	Over TO	0.1/10	∠	
6	10	30	60	100	150	<		
±0.15	±0.20	±0.30	±0.30	±0.50	±0.70	±1.00	±1.30	
							±2'	

7.RoHS Compliance



DETACHED LISTS	PART NO.: /	宁波高松电子有限公司 NINGBO DEGSON ELECTRICAL CO., LTD			
	APPD: /	NAME: DG4T-10P-17-100A(H)			
	CHKD: /	TITLE: CUSTOMER DRAWING			
	DRFT: /	DRAWING NO.: /		REV	DO
THIRD ANGLE PROJECTION		MM (INCH) DO NOT SCALE DRAWING		SHEET	1/1
				SCALE	1:1

REVISION RECORD				
REV	ECN	DESCRIPTION	DRFT	DATE



NOTES1:

- IEC Standard
- 1.Rated Voltage/Current : 450V / 41A
- 2.Torque Value : M4 , 1.2N·m
- 3.Wire Range : 1.5~6.0mm²

NOTES2:

- 1.Dimension shall be interpreted per ASME Y14.5-2009
- 2.Pitch : 13.80mm, Poles : N=10P
- 3.Stripping length : 8mm
- 4.Withstanding Voltage : AC3000V/1Min.
- 5.Operating temperature: -40°C~+110°C
- 6.Undimensioned Tolerances:

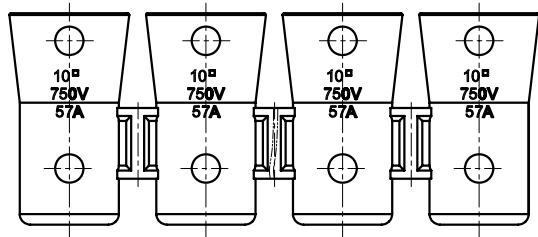
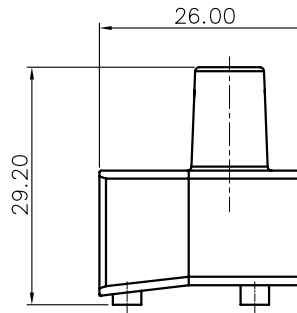
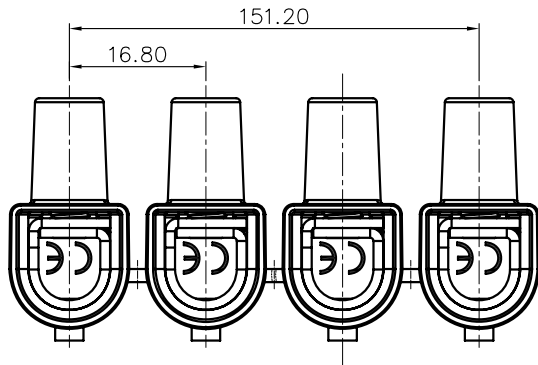
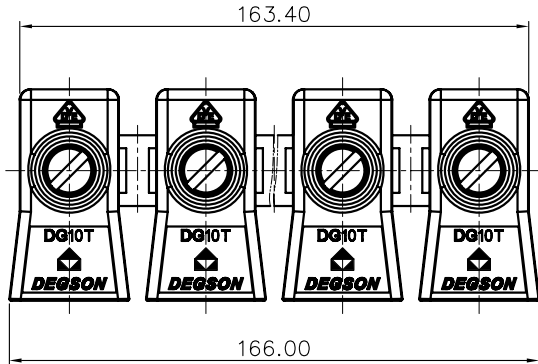
Pitch range in mm		Nominal dimension range in mm					
To	Over	To	Over	To	Over	0.1/10	
6	10	24	30	60	100	150	±2'
±0.15	±0.20	±0.30	±0.30	±0.50	±0.70	±1.00	±1.30

7.RoHS Compliance

DG6T - 10P - 17 - 100A (H)
 (Series No.) (Poles) (Single Pitch) (Color):7.(Transparent)
 (RoHS)
 100A-(Standard)

DETACHED LISTS	PART NO.:	宁波高松电子有限公司 NINGBO DEGSON ELECTRICAL CO., LTD		
	APPD:	NAME: DG6T-10P-17-100A(H)		
	CHKD:	TITLE: CUSTOMER DRAWING		
	DRFT:	DRAWING NO.:	REV	DO
		MM (INCH)	SHEET	1/1
		DO NOT SCALE DRAWING	SCALE	1:1

REVISION RECORD				
REV	ECN	DESCRIPTION	DRFT	DATE



NOTES1:

- IEC Standard
- 1.Rated Voltage/Current : 750V / 57A
- 2.Torque Value : M5 , 2.0N·m
- 3.Wire Range : 2.5~10mm²

NOTES2:

- 1.Dimension shall be interpreted per ASME Y14.5-2009
- 2.Pitch : 16.80mm, Poles : N=10P
- 3.Stripping length : 8mm
- 4.Withstanding Voltage : AC3000V/1Min.
- 5.Operating temperature: -40°C~+110°C
- 6.Undimensioned Tolerances:

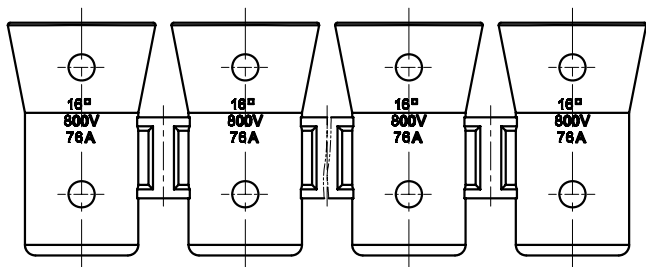
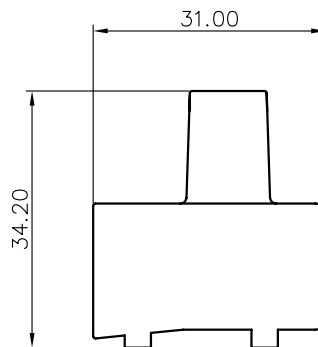
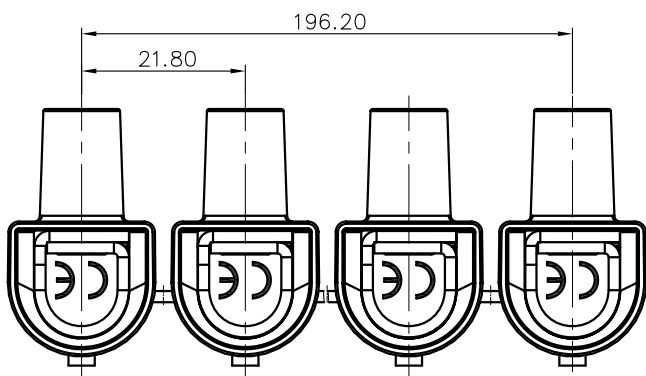
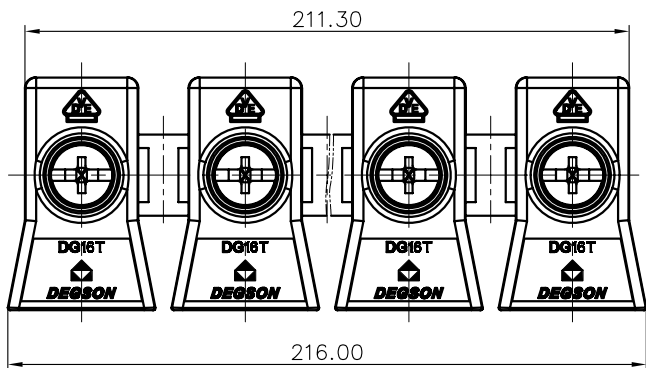
Pitch Range In mm	Nominal Dimension Range In mm						0.1/10
	Over 6 TO 10	Over 10 TO 24	Over 30 TO 60	Over 60 TO 100	Over 100 TO 150	Over 150	
±0.15	±0.20	±0.30	±0.30	±0.50	±0.70	±1.00	±2*

7.RoHS Compliance

DG10T - 10P - 17 - 100A (H)
 (Series No.) (Poles) (Single Pitch) (Color):7.(Transparent)
 (RoHS)
 100A-(Standard)

DETACHED LISTS	PART NO.:	宁波高松电子有限公司 NINGBO DEGSON ELECTRICAL CO., LTD			
	APPD:	NAME: DG10T-10P-17-100A(H)			
	CHKD:	TITLE: CUSTOMER DRAWING			
	DRFT:	DRAWING NO.:		REV	DO
THIRD ANGLE PROJECTION		MM (INCH)	DO NOT SCALE DRAWING	SHEET 1/1	SCALE 1:1

REVISION RECORD				
REV	ECN	DESCRIPTION	DRFT	DATE



NOTES1:

- IEC Standard
- 1.Rated Voltage/Current : 800V / 76A
- 2.Torque Value : M8 , 3.5N·m
- 3.Wire Range : 4.0~16mm²

NOTES2:

- 1.Dimension shall be interpreted per ASME Y14.5-2009
- 2.Pitch : 21.80mm, Poles : N=10P
- 3.Stripping length : 8mm
- 4.Withstanding Voltage : AC3000V/1Min.
- 5.Operating temperature: -40°C~+110°C
- 6.Undimensioned Tolerances:

Pitch range in mm	Nominal dimension range in mm						0.1/10	
	Over 6 TO 10	Over 10 TO 24	Over 30 TO 30	Over 60 TO 60	Over 100 TO 150	Over 150		
±0.15	±0.20	±0.30	±0.30	±0.50	±0.70	±1.00	±1.30	±2'

7.RoHS Compliance

DG16T - 10P - 17 - 100A (H)
 (Series No.) (Poles) (Single Pitch) (Color):7.(Transparent)
 (RoHS)
 100A-(Standard)

DETACHED LISTS	PART NO.:	/			宁波高松电子有限公司 NINGBO DEGSON ELECTRICAL CO., LTD	
	APPD:	/			NAME: DG16T-10P-17-100A(H)	
	CHKD:	/			TITLE: CUSTOMER DRAWING	
	DRFT:	/			REV	DO
	THIRD ANGLE PROJECTION		DRAWING NO.:	/		SHEET
		MM (INCH)	DO NOT SCALE DRAWING		SCALE	1:1