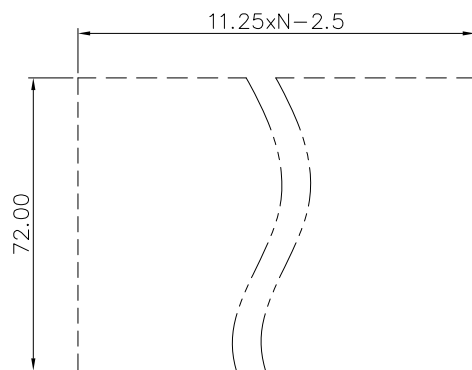
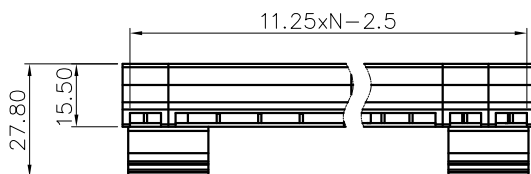
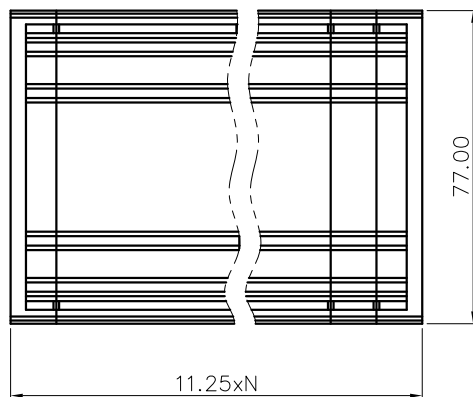
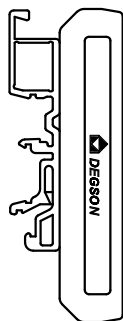


| REVISION RECORD | | | | |
|-----------------|-----|-------------|------|------|
| REV | ECN | DESCRIPTION | DRFT | DATE |



PCB LAYOUT

NOTES2:

- 1.Dimension shall be interpreted per ASME Y14.5-2009
- 2.Pitch : 11.25mm, Poles : N=02~16P
- 3.Operating temperature: -20°C~+50°C
- 4.Undimensioned tolerances:

| Pitch Range In mm | | Nominal Dimension Range In mm | | | | - | ∩ | ∇ |
|-------------------|--------------|-------------------------------|-------|---------------|----------------|-----------------|--------|-----|
| TO 6 | Over 6 TO 10 | Over 10 TO 24 | TO 30 | Over 30 TO 60 | Over 60 TO 100 | Over 100 TO 150 | 0.1/10 | < |
| ±0.15 | ±0.20 | ±0.30 | ±0.30 | ±0.50 | ±0.70 | ±1.00 | ±1.30 | ±2' |

5.RoHS Compliance

DMK72 - 11.25 - XXP - 1Y - 00A (H)
 (Series No.) (Pitch) (Poles) (Single Pitch) (Color): 1.(Grey)
 2.(Blue)
 3.(Black)
 4.(Green)
 5.(Orange)
 6.(Red)
 7.(Transparent)
 8.(Yellow)
 9.(White)

| | | | | | |
|------------------------|-----------|---|--|-------|-----|
| DETACHED LISTS | PART NO.: | 宁波高松电子有限公司 NINGBO DEGSON ELECTRICAL CO., LTD | | | |
| | APPD: | NAME: DMK72-11.25-XXP-1Y-00A(H) | | | |
| | CHKD: | TITLE: CUSTOMER DRAWING | | REV | DO |
| | DRFT: | DRAWING NO.: | | SHEET | 1/1 |
| THIRD ANGLE PROJECTION | | DO NOT SCALE DRAWING | | SCALE | 1:1 |