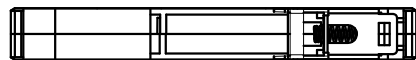
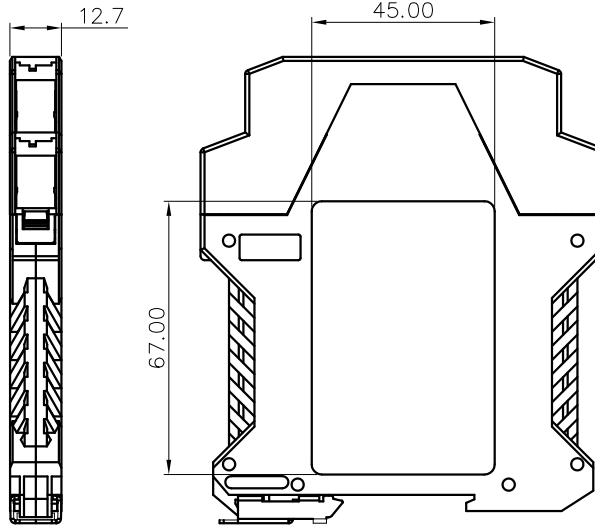
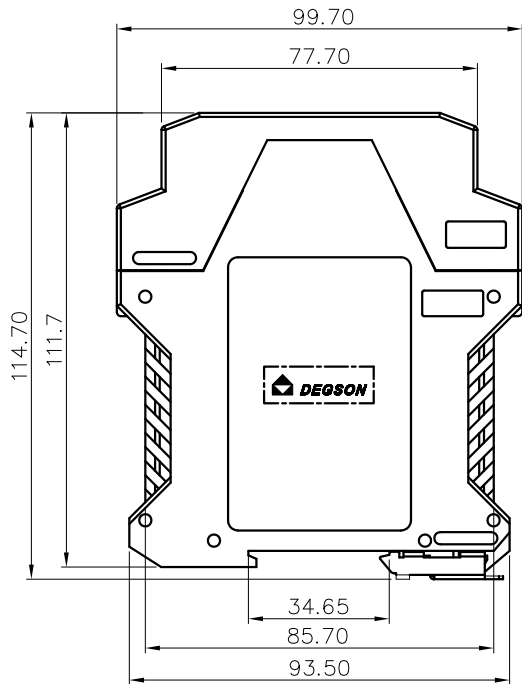
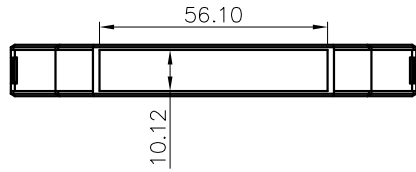


REVISION RECORD

REV	ECN	DESCRIPTION	DRFT	DATE



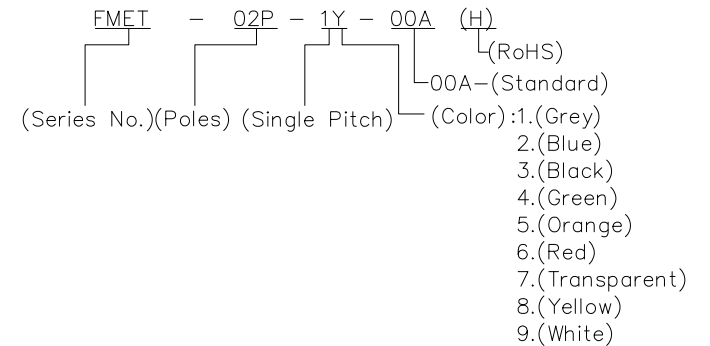
NOTES:

1.Dimension shall be interpreted per ASME Y14.5-2009

2.Undimensioned Tolerances:

Pitch range in mm			Nominal dimension range in mm				- \square ∇
TO	Over TO	Over TO	TO	Over TO	Over TO	Over TO	
6	6 TO 10	10 TO 24	30	30 TO 60	60 TO 100	100 TO 150	0.1/10
	± 0.15	± 0.20	± 0.30	± 0.30	± 0.50	± 0.70	± 1.00
							± 1.30
							$\pm 2'$

3.RoHS Compliance



DETACHED LISTS	PART NO.:	/			宁波高松电子有限公司 NINGBO DEGSON ELECTRICAL CO., LTD		
	APPD:	/					
	CHKD:	/			NAME: FMET-02P-1Y-00A(H)		
	DRFT:	/			TITLE: CUSTOMER DRAWING	REV	DO
	THIRD ANGLE PROJECTION		DRAWING NO.:	/		SHEET	1/1
		MM (INCH)	DO NOT SCALE DRAWING	SCALE	1:1		