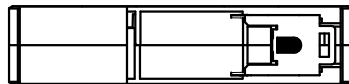
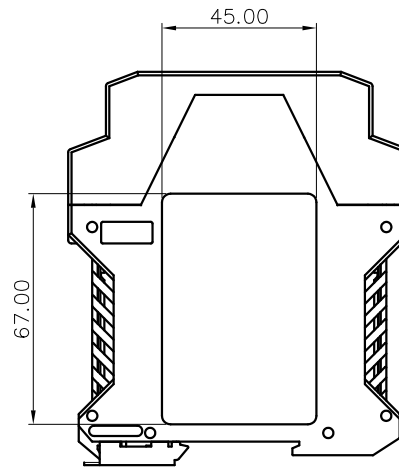
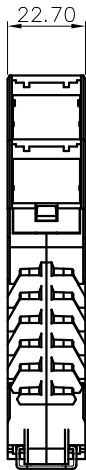
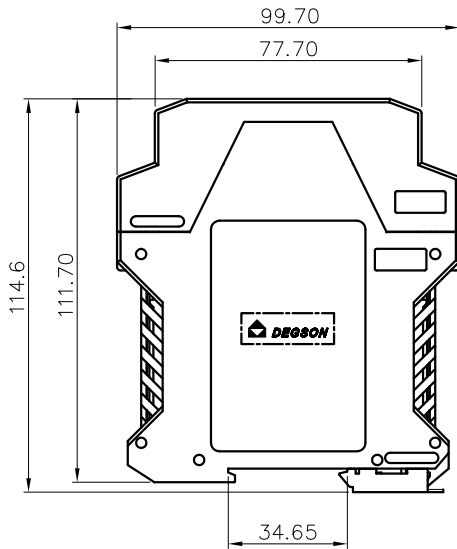
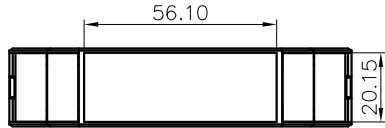


REVISION RECORD

REV	ECN	DESCRIPTION	DRFT	DATE
-----	-----	-------------	------	------



NOTES:

1.Dimension shall be interpreted per ASME Y14.5-2009

2.Undimensioned Tolerances:

Pitch range in mm		Nominal dimension range in mm				-	∩	∇
To	Over	To	Over	To	Over	0.1/10		
6	10	10	24	30	60			
±0.15	±0.20	±0.30	±0.30	±0.50	±0.70	±1.00	±1.30	±2'

3.RoHS Compliance

FMET - 04P - 1Y - 00A (H)
 (Series No.)(Poles) (Single Pitch) (Color): 1.(Grey)
 2.(Blue)
 3.(Black)
 4.(Green)
 5.(Orange)
 6.(Red)
 7.(Transparent)
 8.(Yellow)
 9.(White)

DETACHED LISTS	PART NO.:	宁波高松电子有限公司 NINGBO DEGSON ELECTRICAL CO., LTD		
	APPD:	NAME: FMET-04P-1Y-00A(H)		
	CHKD:	TITLE: CUSTOMER DRAWING	REV	DO
	DRFT:	DRAWING NO.:	SHEET	1/1
THIRD ANGLE PROJECTION		DO NOT SCALE DRAWING	SCALE	1:1