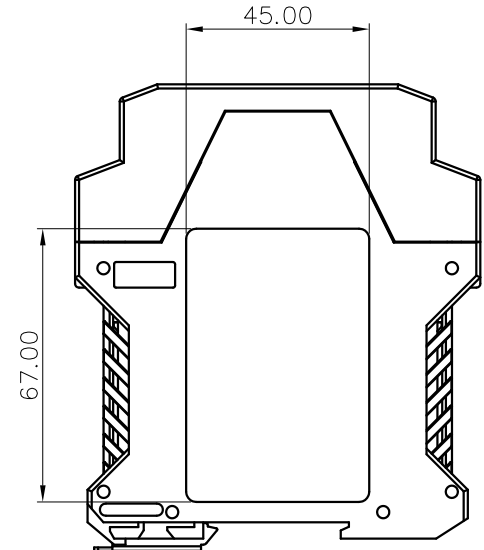
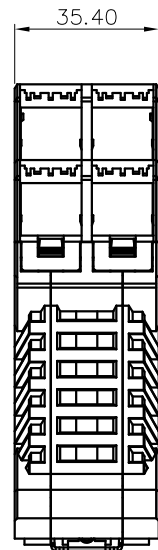
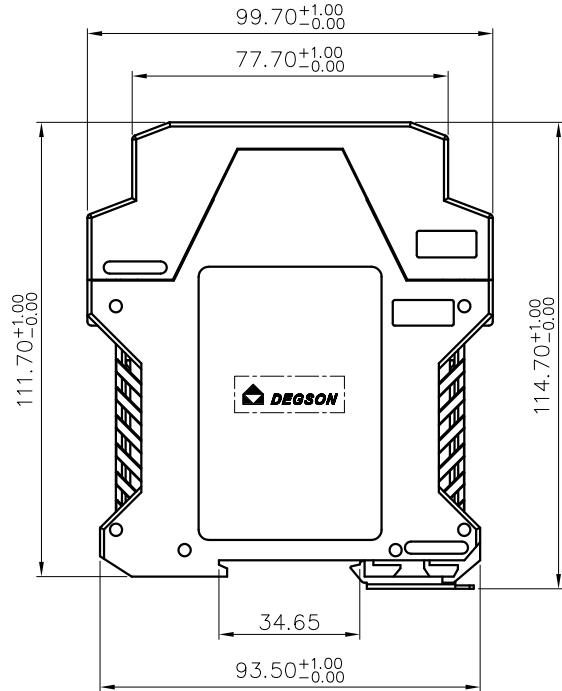
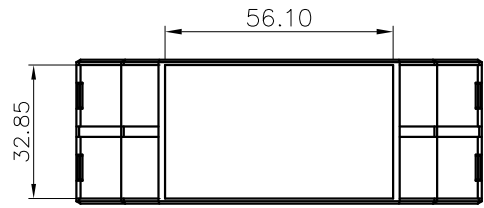


REVISION RECORD				
REV	ECN	DESCRIPTION	DRFT	DATE



NOTES:

1.Dimension shall be interpreted per ASME Y14.5-2009

2.Undimensioned Tolerances:

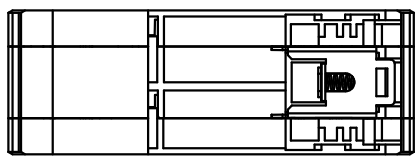
Pitch range in mm		Nominal dimension range in mm					0.1/10	
TO	Over TO	TO	Over TO	Over TO	Over TO			
6	10	30	60	100	150	<		
±0.15	±0.20	±0.30	±0.30	±0.50	±0.70	±1.00	±1.30	±2'

3.RoHS Compliance

FMET - 06P - 1Y - 00A (H)

(Series No.)(Poles) (Single Pitch) (Color):1.(Grey)  
 2.(Blue)  
 3.(Black)  
 4.(Green)  
 5.(Orange)  
 6.(Red)  
 7.(Transparent)  
 8.(Yellow)  
 9.(White)

(RoHS)  
 00A-(Standard)



DETACHED LISTS	PART NO.:	/		
	APPD:	/		
	CHKD:	/		
	DRFT:	/		
	<p>THIRD ANGLE PROJECTION</p>		<p>MM (INCH)</p>	
<p>NINGBO DEGSON ELECTRICAL CO., LTD</p>		<p>NAME: FMET-06P-1Y-00A(H)</p>		
<p>TITLE: CUSTOMER DRAWING</p>		REV	DO	
<p>DRAWING NO.: /</p>		SHEET	1/1	
<p>DO NOT SCALE DRAWING</p>		SCALE	1:1	