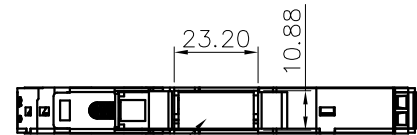
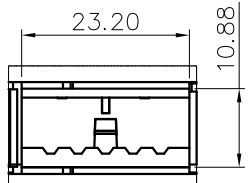
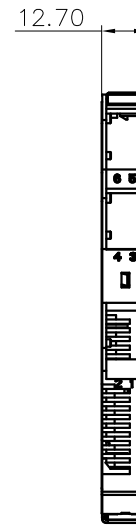
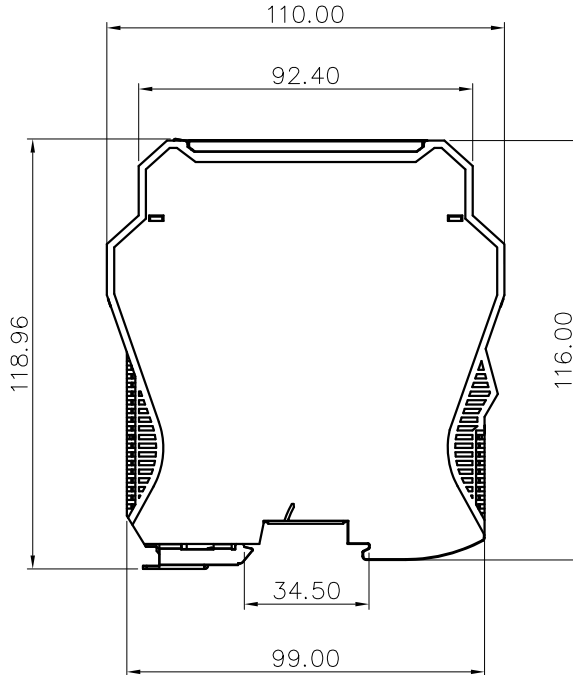
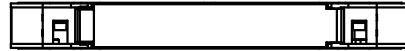


REVISION RECORD				
REV	ECN	DESCRIPTION	DRFT	DATE



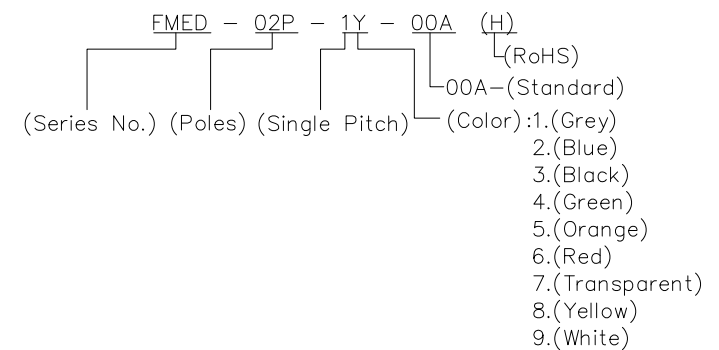
Enlarge figure after removing dust control module

NOTES:

- 1.Dimension shall be interpreted per ASME Y14.5-2009
- 2.Undimensioned Tolerances:

Pitch Range In mm		Nominal Dimension Range In mm				-	∩	□
TO	Over	Over	Over	Over	Over	0.1/10		
6	6 TO 10	10 TO 24	TO 30	30 TO 60	60 TO 100	TO 150		<
±0.15	±0.20	±0.30	±0.30	±0.50	±0.70	±1.00	±1.30	±2'

3.RoHS Compliance



DETACHED LISTS	PART NO.:	/			宁波高松电子有限公司 NINGBO DEGSON ELECTRICAL CO., LTD	
	APPD:	/				NAME:
	CHKD:	/			FMED-02P-1Y-00A(H)	
	DRFT:	/			TITLE:	CUSTOMER DRAWING
	THIRD ANGLE PROJECTION		DRAWING NO.:	/		REV
		MM (INCH)	DO NOT SCALE DRAWING	SCALE	SHEET	1/1
				SCALE		1:1