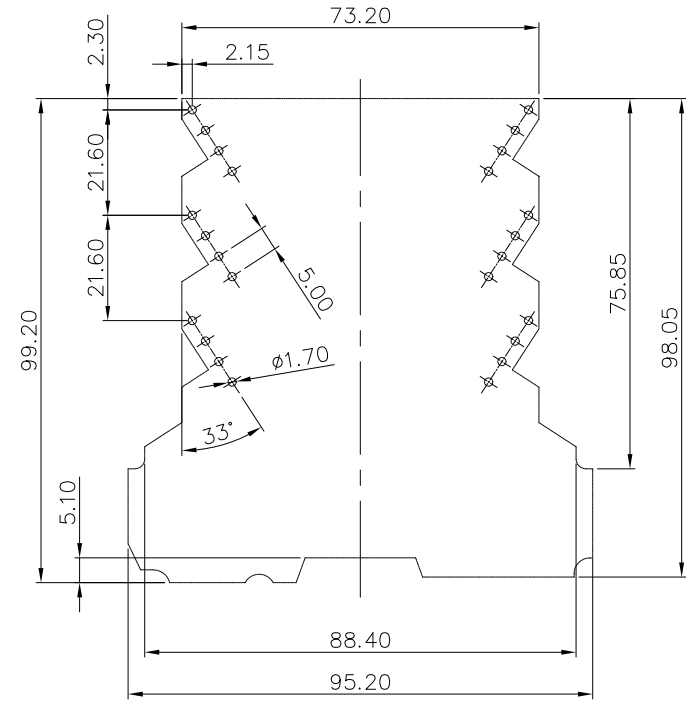
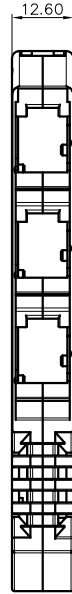
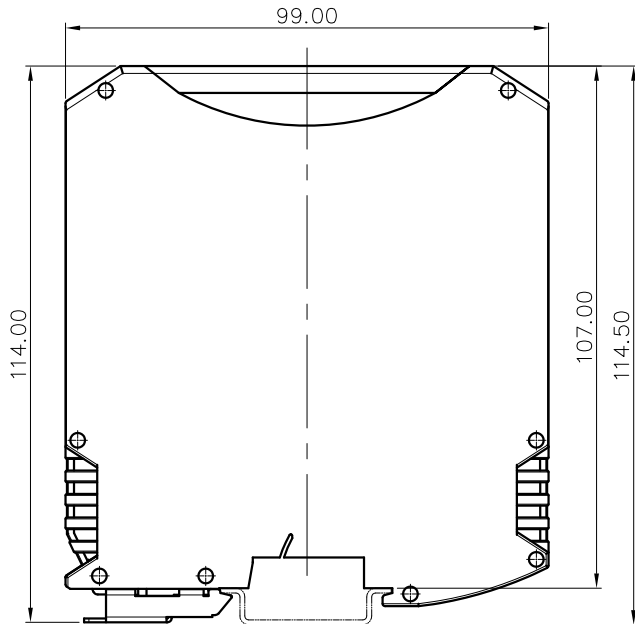
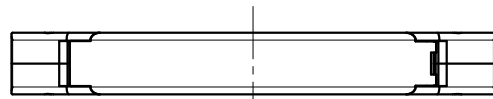
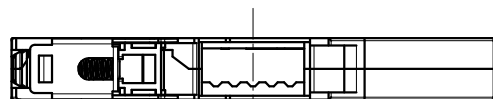


REVISION RECORD				
REV	ECN	DESCRIPTION	DRFT	DATE



PCB LAYOUT



FMEH - 02P - 1Y - 00A (H)  
 (Series No.)(Poles)(Single Pitch) (Color): 1.(Grey) 2.(Blue) 3.(Black) 4.(Green) 5.(Orange) 6.(Red) 7.(Transparent) 8.(Yellow) 9.(White)  
 (RoHS) 00A-(Standard)

NOTES:

- 1.Dimension shall be interpreted per ASME Y14.5-2009
- 2.Poles : N=02P
- 3.Operating temperature: -40°C~+105°C
- 4.Undimensioned tolerances:

Pitch range in mm	Nominal dimension range in mm			—	∩	∇
Over 6 TO 10	Over 10 TO 24	Over 30 TO 60	Over 60 TO 100	Over 100 TO 150	Over 150	0.1/10
±0.15	±0.20	±0.30	±0.50	±0.70	±1.00	±1.30
						±2'

5.RoHS Compliance

DETACHED LISTS	PART NO.:	/			
	APPD:	/			
	CHKD:	/			
	DRFT:	/			
	THIRD ANGLE PROJECTION		NAME: 宁波高松电子有限公司 NINGBO DEGSON ELECTRICAL CO., LTD FMEH-02P-1Y-00A(H)		
DRAWING NO.:		/		REV	DO
MM (INCH)		DO NOT SCALE DRAWING		SHEET	1/1
		SCALE		1:1	