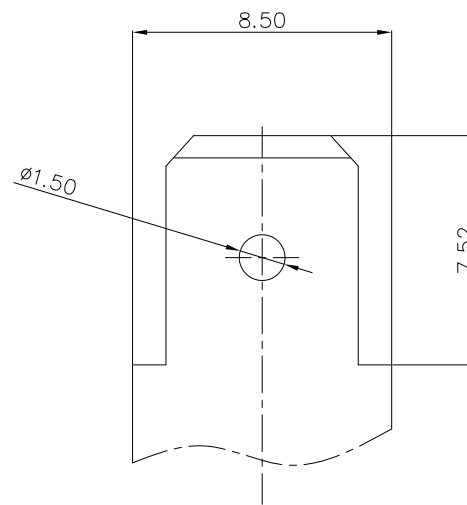
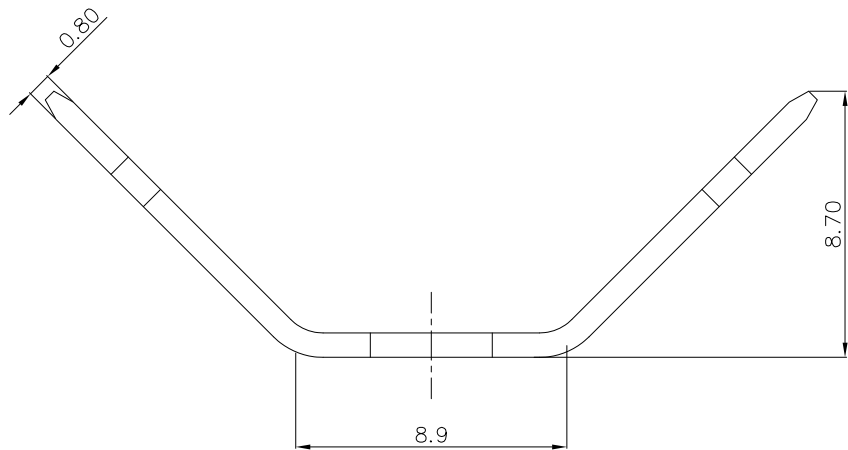
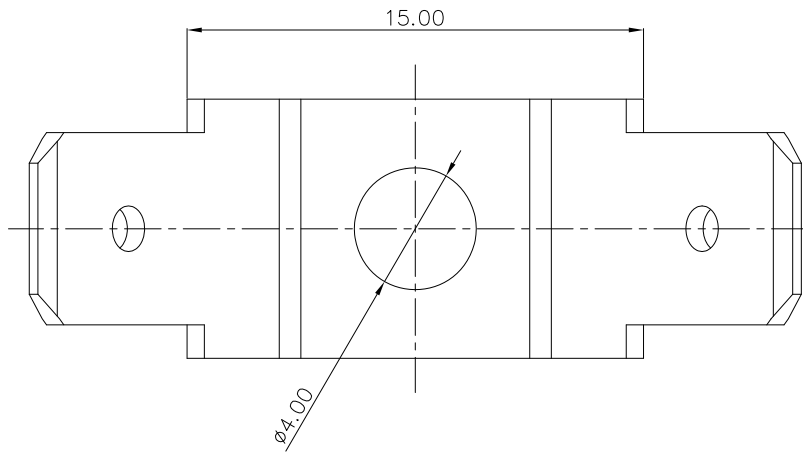


REVISION RECORD				
REV	ECN	DESCRIPTION	DRFT	DATE



NOTES:

- Dimension shall be interpreted per ASME Y14.5-2009
- Undimensioned Tolerances:

Pitch range in mm		Nominal dimension range in mm						—	\cap	∇
TO	Over TO	Over TO	Over TO	Over TO	Over TO	Over TO	0.1/10			
6	10	10	30	30	60	60	100	150		
±0.15	±0.20	±0.30	±0.30	±0.50	±0.70	±1.00	±1.30	±2'		

K2 - 00A (H)
 (Series No.) (RoHS)
 — 00A—(Standard)

DETACHED LISTS	PART NO.:	/			
	APPD:	/			
	CHKD:	/			
	DRFT:	/			
	THIRD ANGLE PROJECTION				
NAME:		宁波高松电子有限公司 NINGBO DEGSON ELECTRICAL CO., LTD			
TITLE:		CUSTOMER DRAWING		REV	DO
DRAWING NO.:		/		SHEET	1/1
MM (INCH)		DO NOT SCALE DRAWING		SCALE	1:1