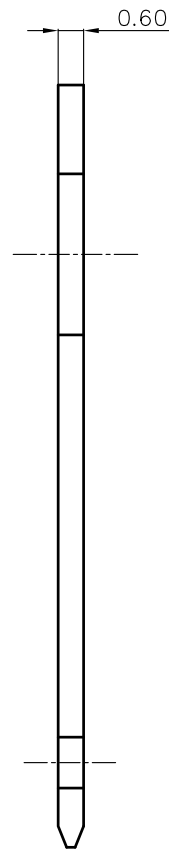
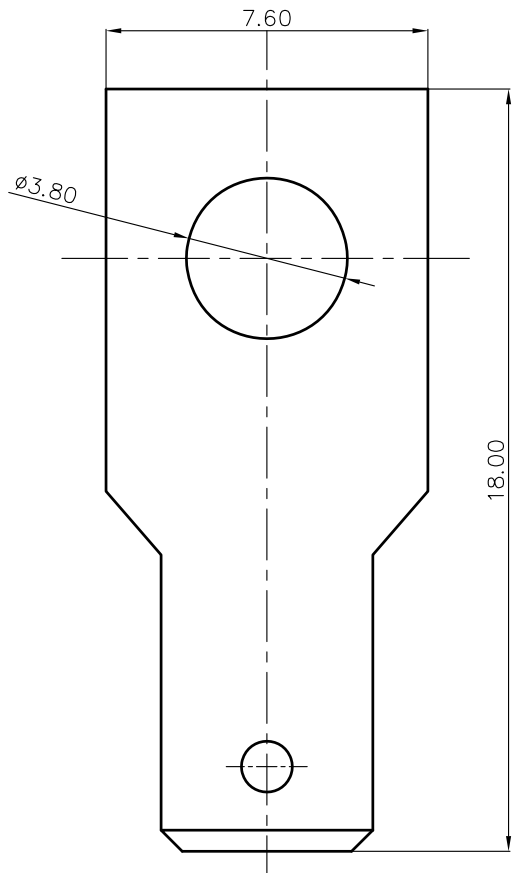


| REVISION RECORD | | | | |
|-----------------|-----|-------------|------|------|
| REV | ECN | DESCRIPTION | DRFT | DATE |



NOTES:

- 1.Dimension shall be interpreted per ASME Y14.5-2009
- 2.Undimensioned Tolerances:

| Pitch range in mm | | Nominal dimension range in mm | | | | ⊖ | ⊕ | ∇ | | | | | | |
|-------------------|---------|-------------------------------|----------|-----------|------------|--------|-------|-------|-------|-------|-------|-------|-------|-----|
| TO | Over TO | Over TO | Over TO | Over TO | Over TO | 0.1/10 | < | | | | | | | |
| 6 | 6 TO 10 | 10 TO 24 | 30 TO 60 | 60 TO 100 | 100 TO 150 | ±0.15 | ±0.20 | ±0.30 | ±0.30 | ±0.50 | ±0.70 | ±1.00 | ±1.30 | ±2' |

K6 - 00A (H)
 (Series No.) (RoHS) 00A-(Standard)

| | | | | | |
|------------------------|-----------|---|--|-----------|-----------|
| DETACHED LISTS | PART NO.: | 宁波高松电子有限公司 NINGBO DEGSON ELECTRICAL CO., LTD | | | |
| | APPD: | NAME: K6-00A(H) | | | |
| | CHKD: | TITLE: CUSTOMER DRAWING | | | |
| | DRFT: | DRAWING NO.: | | REV | DO |
| THIRD ANGLE PROJECTION | | DO NOT SCALE DRAWING MM (INCH) | | SHEET 1/1 | SCALE 1:1 |