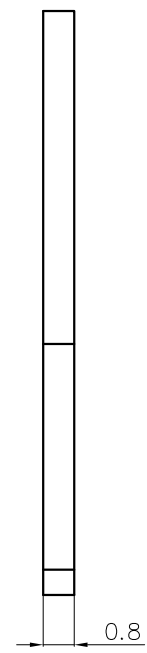
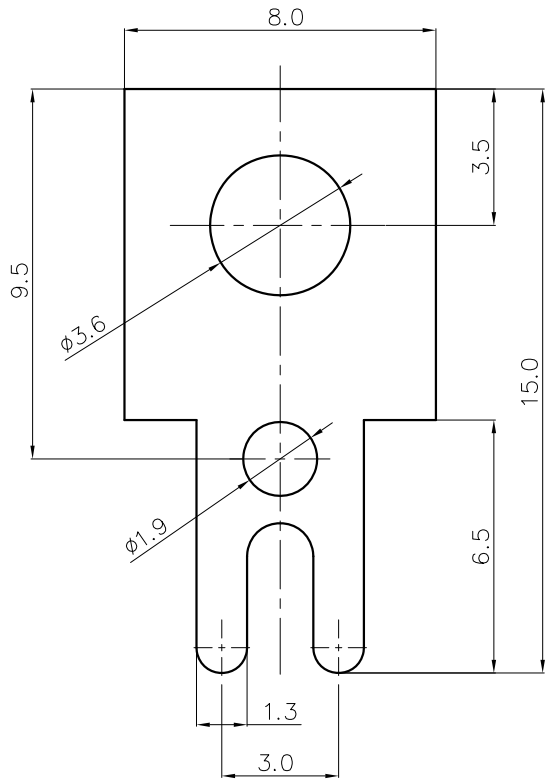


REVISION RECORD				
REV	ECN	DESCRIPTION	DRFT	DATE

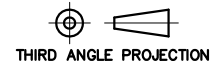


NOTES:
 1.Dimension shall be interpreted per ASME Y14.5-2009
 2.Undimensioned tolerances:

Pitch range in mm			Nominal dimension range in mm					Tolerances	
TO	Over TO	Over TO	TO	Over TO	Over TO	Over TO	0.1/10		
6	10	24	30	60	100	150			
±0.15	±0.20	±0.30	±0.30	±0.50	±0.70	±1.00	±1.30	±2*	

3.RoHS Compliance
 K11-00A (H)
 (Series No.) (RoHS) 00A-(Standard)

DETACHED LISTS	PART NO.:	/			
	APPD:	NAME: NINGBO DEGSON ELECTRICAL CO., LTD			
	CHKD:	K11-00A(H)			
	DRFT:	TITLE: CUSTOMER DRAWING	REV	D0	
		DRAWING NO.:	/	SHEET	1/1
		MM (INCH)	DO NOT SCALE DRAWING	SCALE	1:1



H
G
F
E
D
C
B
A

H
G
F
E
D
C
B
A