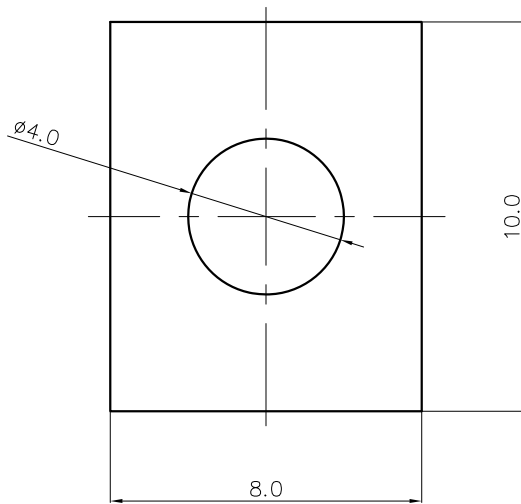
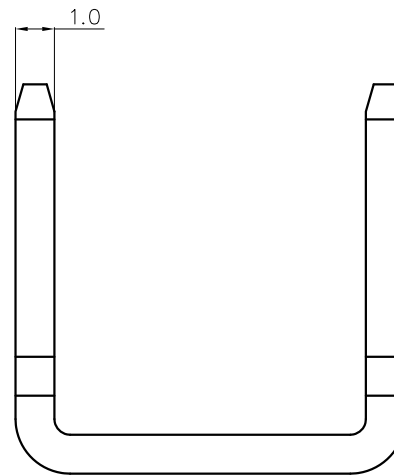
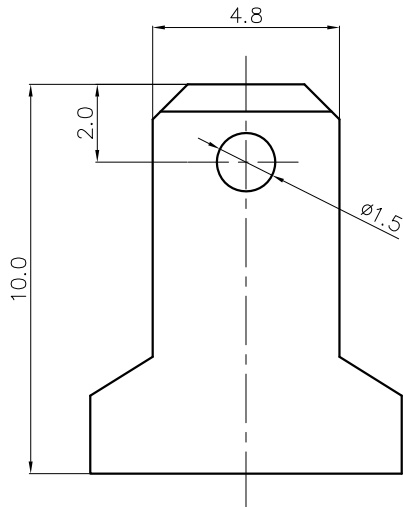


REVISION RECORD

REV	ECN	DESCRIPTION	DRFT	DATE
-----	-----	-------------	------	------

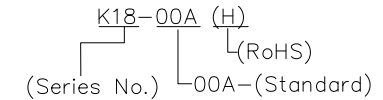


NOTES:

- 1.Dimension shall be interpreted per ASME Y14.5-2009
- 2.Undimensioned tolerances:

Pitch range in mm		Nominal dimension range in mm				-	∩	∇
TO	Over TO	Over TO	Over TO	Over TO	Over TO	Over TO	0.1/10	
6	10	24	30	60	100	150	<	
±0.15	±0.20	±0.30	±0.30	±0.50	±0.70	±1.00	±1.30	
							±2'	

3.RoHS Compliance



DETACHED LISTS	PART NO.:	/				宁波高松电子有限公司 NINGBO DEGSON ELECTRICAL CO., LTD			
	APPD:	NAME: K18-00A(H)							
	CHKD:	TITLE: CUSTOMER DRAWING							
	DRFT:	DRAWING NO.:				REV	DO		
 THIRD ANGLE PROJECTION		MM (INCH)		DO NOT SCALE DRAWING		SHEET	1/1		
				SCALE		1:1			