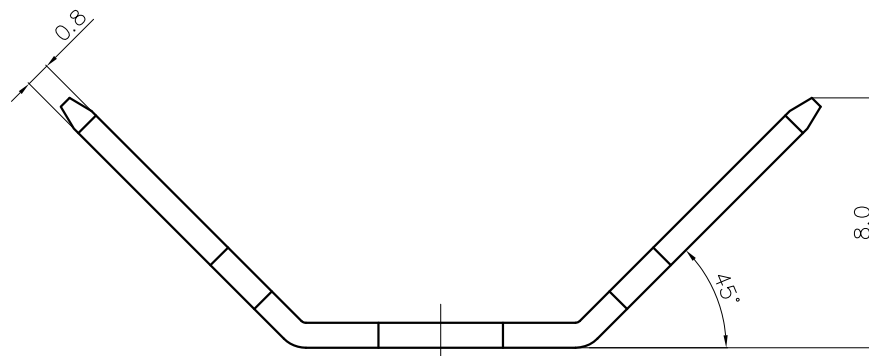
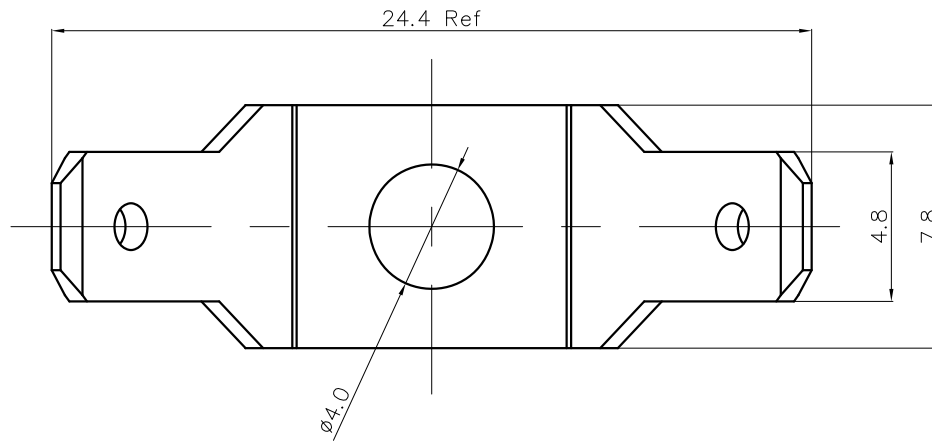


REVISION RECORD

REV	ECN	DESCRIPTION	DRFT	DATE
-----	-----	-------------	------	------



NOTES:
 1.Dimension shall be interpreted per ASME Y14.5-2009
 2.Undimensioned tolerances:

Pitch range in mm		Nominal dimension range in mm				Tolerance	
To	Over	To	Over	To	Over	Symbol	Value
6	10	6	24	30	150	\pm / ∇	0.1/10
6	10	24	30	60	100		<
							$\pm 2'$

3.RoHS Compliance

K19-00A (H)
 (Series No.) (RoHS) 00A-(Standard)

DETACHED LISTS	PART NO.:	/			
	APPD:	NAME: NINGBO DEGSON ELECTRICAL CO., LTD			
	CHKD:	K19-00A(H)			
	DRFT:	TITLE: CUSTOMER DRAWING	REV	D0	
	THIRD ANGLE PROJECTION	DRAWING NO.:	/	SHEET	1/1
		MM (INCH)	DO NOT SCALE DRAWING	SCALE	1:1