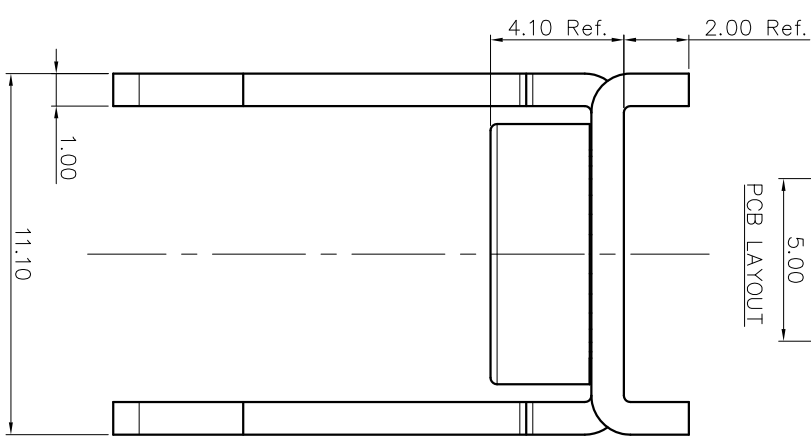
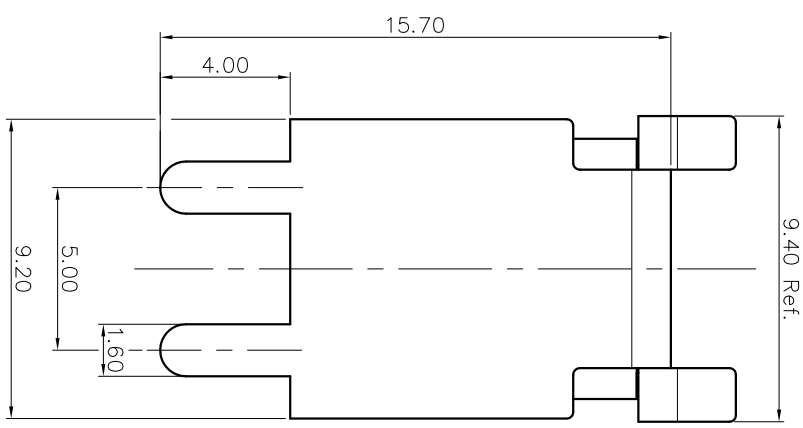
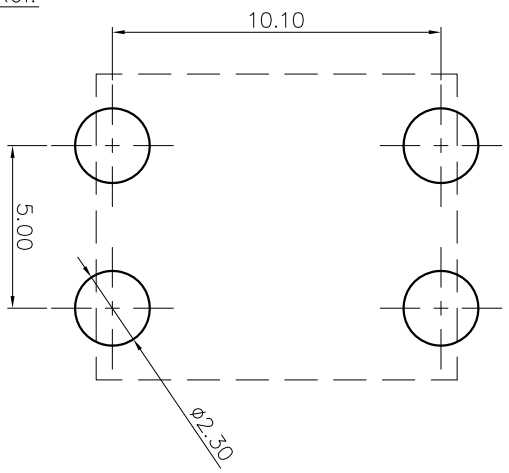
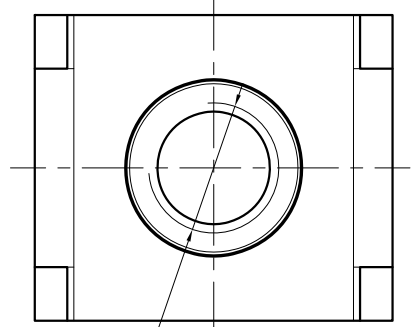


REVISION RECORD				
REV	ECN	DESCRIPTION	DFT	DATE



NOTES:

1. Rated Current : 30A
2. Torque Value : M4, 16.32kgf.cm(1.6N·m/14.18Lb.in)
3. Dimension shall be interpreted per ASME Y14.5-2009
4. Undimensioned tolerances:

Pitch range in mm	Nominal dimension range in mm	Over	TO	Over	TO	Over	TO	Over	TO	Over	TO	Over	TO	±2°
6 TO 10	±0.20	6	10	30	60	100	150	0.1/10						
10 TO 24	±0.30	10	24	30	60	100	150							
24 TO 30	±0.30	30	30	60	100	150								
30 TO 40	±0.50	30	30	60	100	150								
40 TO 50	±0.70	30	30	60	100	150								
50 TO 63	±1.00	30	30	60	100	150								
63 TO 80	±1.30	30	30	60	100	150								

5. RoHS Compliance

(Series No.)
 K48 -00A (H)
 (RoHS)
 00A-(Standard)

DETACHED LISTS			
PART NO.:	/	NAME:	DEGSON NINGBO DEGSON ELECTRICAL CO., LTD 宁波高松电子有限公司
APPD:	/	CHKD:	/
DFT:	/	TITLE:	CUSTOMER DRAWING
THIRD ANGLE PROJECTION		DRAWING NO.:	/
		DO NOT SCALE DRAWING	SCALE
			1:1

A B C D E F G H

8

7

6

5

4

3

2

1

A B C D E F G H