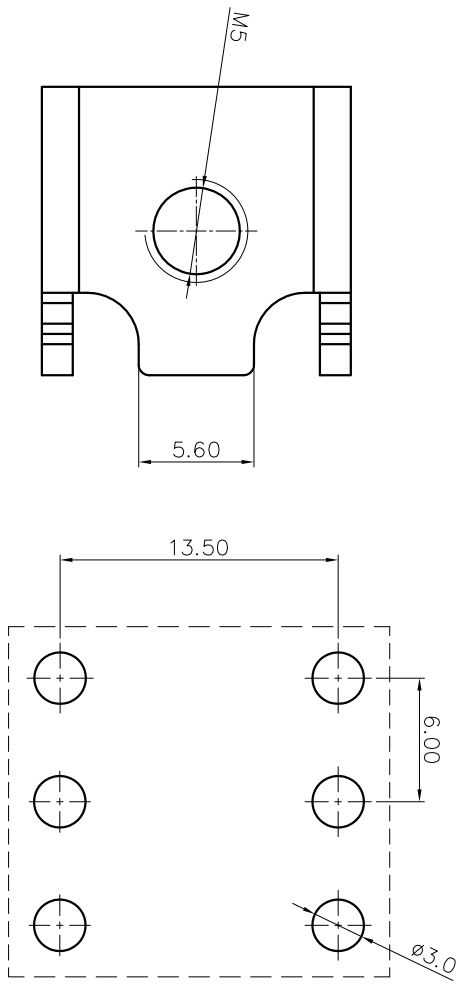
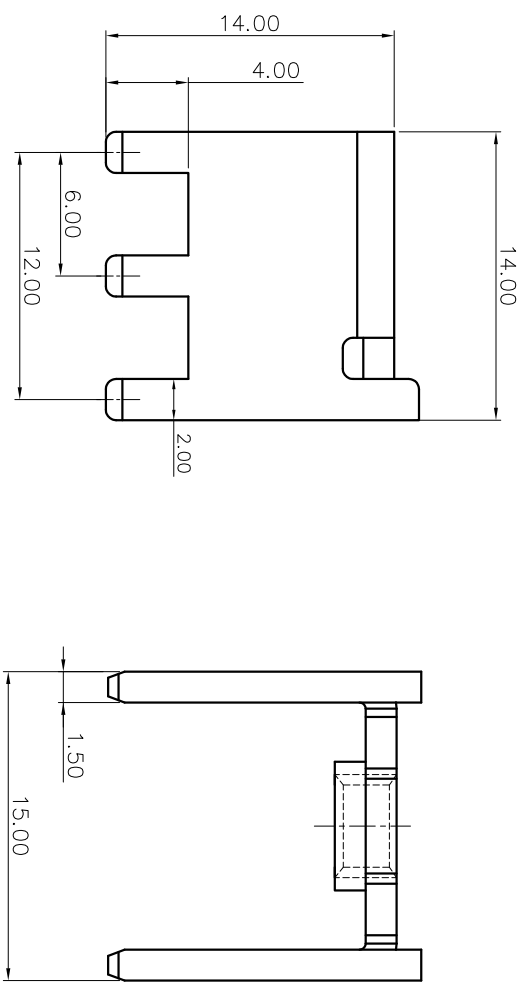


REVISION RECORD				
REV	ECN	DESCRIPTION	DRFT	DATE



PCB LAYOUT



NOTES:

- 1. UL Standard
- 2. Rated Current: 92A
- 3. Torque Value : M5 , 17.54lb.in
- 4. Dimension shall be interpreted per ASME Y14.5-2009
- 5. Undimensioned tolerances:

Pitch range	in		mm		Nominal dimension range	Tolerance		
	Over	TO	Over	TO				
6	10	TO	30	TO	60	0.1/1.0		
10	10	TO	30	TO	100	0.1/1.0		
10	24	TO	60	TO	150	0.1/1.0		
±0.15	±0.20	±0.30	±0.30	±0.50	±0.70	±1.00	±1.30	±2°

5. RoHS Compliance

K51-00A (H)  
 (RoHS)  
 (Series No.) 00A-(Standard)

DETACHED LISTS			
PART NO.:	/	NAME:	NINGBO DEGSON ELECTRICAL CO., LTD
APPD:	/	NAME:	宁波高松电子有限公司
CHKD:	/	TITLE:	CUSTOMER DRAWING
DRFT:	/	DRAWING NO.:	/
THIRD ANGLE PROJECTION		DO NOT SCALE DRAWING	SCALE
1	2	1	1

A 8 7 6 5 4 3 2 1