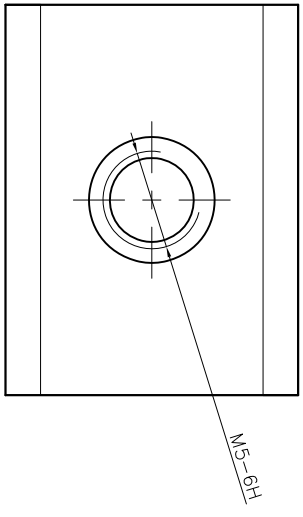


REVISION RECORD				
REV	ECN	DESCRIPTION	DRFT	DATE

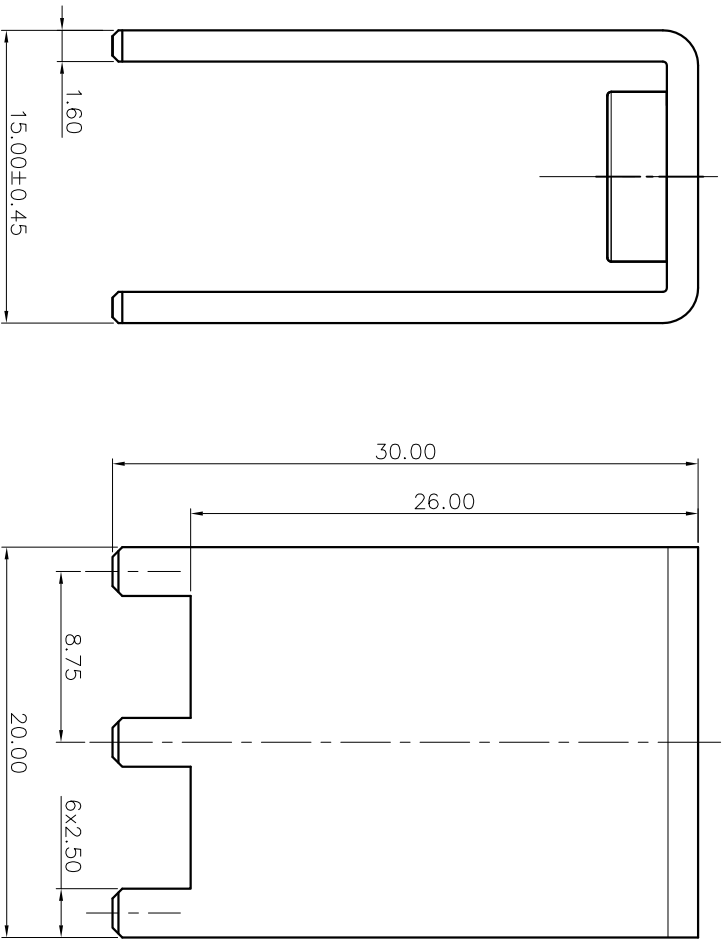


NOTES2:

- 1.Current : 115A
- 2.Torque vltue : M5, 3.ON·m (26.58lb.in,30.60kgf·cm)
- 3.Dimension shall be interpreted per ASME Y14.5-2009
- 4.Undimensioned tolerances:

Pitch Range	In		mm		Nominal Dimension	Range	
	Over	TO	Over	TO		Over	Over
6	10	TO	30	60	0.1/10		
10	24	TO	60	100	150		
15	30	TO	100	150			
20	30	TO	100	150			
25	30	TO	100	150			
30	30	TO	100	150			
35	30	TO	100	150			
40	30	TO	100	150			
45	30	TO	100	150			
50	30	TO	100	150			
55	30	TO	100	150			
60	30	TO	100	150			
65	30	TO	100	150			
70	30	TO	100	150			
75	30	TO	100	150			
80	30	TO	100	150			
85	30	TO	100	150			
90	30	TO	100	150			
95	30	TO	100	150			
100	30	TO	100	150			

5.RoHS Compliance



K80 - 00A (H)
 (Series No.) (RoHS)
 00A-(Standard)

DETACHED LISTS			
PART NO.:	/	NAME:	DEGSON NINGBO DEGSON ELECTRICAL CO., LTD 宁波高松电子有限公司
APPD:	/	NAME:	K80-00A(H)
CHKD:	/	TITLE:	CUSTOMER DRAWING
DRFT:	/	DRAWING NO.:	/
THIRD ANGLE PROJECTION		DO NOT SCALE DRAWING	SCALE
			1:1

A B C D E F G H

A B C D E F G H

8 7 6 5 4 3 2 1