

REVISION RECORD

REV	ECN	DESCRIPTION	DRFT	DATE
-----	-----	-------------	------	------

NOTES1:

UL Standard

- 1.Rated voltage/current : 300V / 30A
- 2.Withstanding voltage : AC1600V/1Min.
- 3.Wire range : 24~10AWG

IEC Standard

1.

Pollution Degree	2	2	3
Overvoltage Category	II	III	III
Rate Impulse Voltage(KV)	6.0KV	6.0KV	6.0KV
Rate Voltage(V)	1000V	630V	630V
Rate Current(A)	32A		

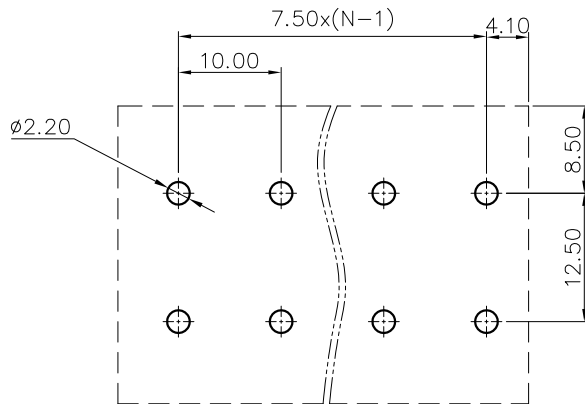
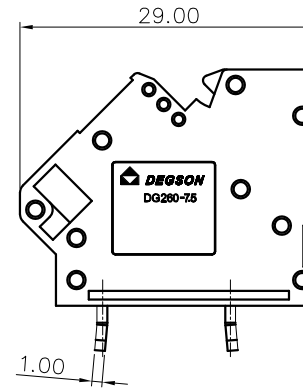
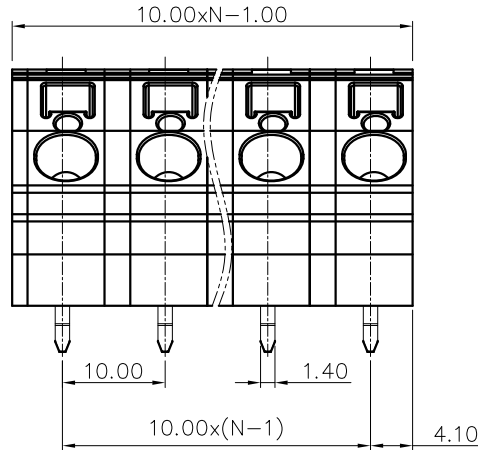
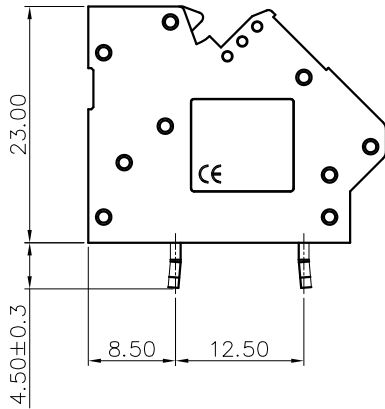
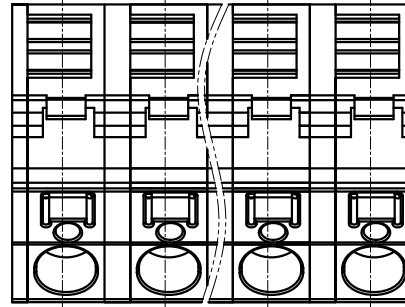
2.Wire range : 0.2~4.0mm²

NOTES2:

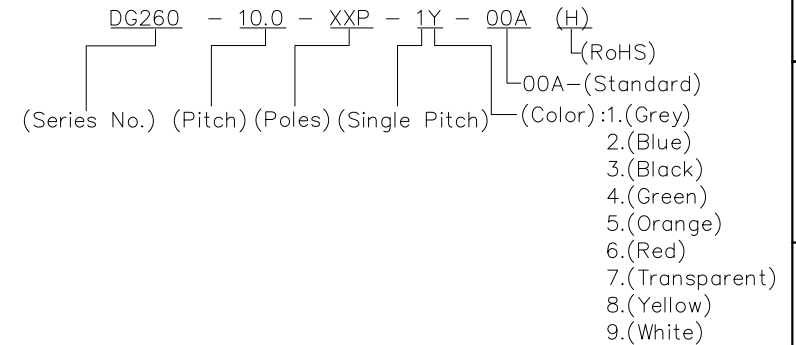
- 1.Dimension shall be interpreted per ASME Y14.5-2009
- 2.Pitch : 10.00mm, Poles : N=01~XXP
- 3.Stripping length : 10~11mm
- 4.Operating temperature: -40°C~+105°C
- 5.Undimensioned tolerances:

Pitch range in mm	Nominal dimension range in mm						0.1/10	
	Over 6 TO 10	Over 10 TO 24	Over 30 TO 30	Over 60 TO 60	Over 100 TO 150	Over 150		
±0.15	±0.20	±0.30	±0.30	±0.50	±0.70	±1.00	±1.30	±2'

6.RoHS Compliance



PCB LAYOUT



DETACHED LISTS	PART NO.:	/			
	APPD:	/			
	CHKD:	/			
	DRFT:	/			
	THIRD ANGLE PROJECTION		DRAWING NO.:		/
		MM (INCH)		DO NOT SCALE DRAWING	
		TITLE: CUSTOMER DRAWING		REV	DO
		SHEET		1/1	
		SCALE		1:1	

宁波高松电子有限公司
NINGBO DEGSON ELECTRICAL CO., LTD

NAME: DG260-10.0-XXP-1Y-00A(H)

TITLE: CUSTOMER DRAWING

DRAWING NO.: / SHEET 1/1

MM (INCH) DO NOT SCALE DRAWING SCALE 1:1