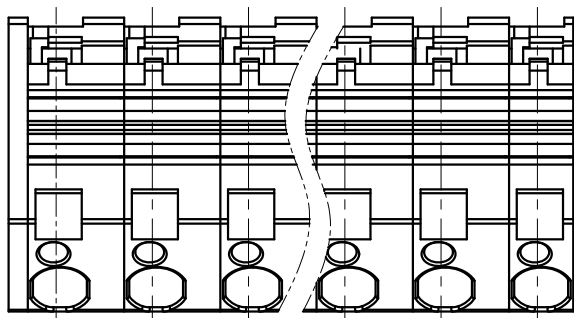


REVISION RECORD				
REV	ECN	DESCRIPTION	DRFT	DATE



NOTES1:

- UL Standard
 1.Rated voltage/current : 300V / 20A
 2.Withstanding voltage : AC1600V/1Min.
 3.Wire range : 28~12AWG

IEC Standard

1. Pollution Degree	2	2	3
Overvoltage Category	II	III	III
Rate Impulse Voltage(KV)	6.0KV	6.0KV	6.0KV
Rate Voltage(V)	1000V	630V	500V
Rate Current(A)	32A		

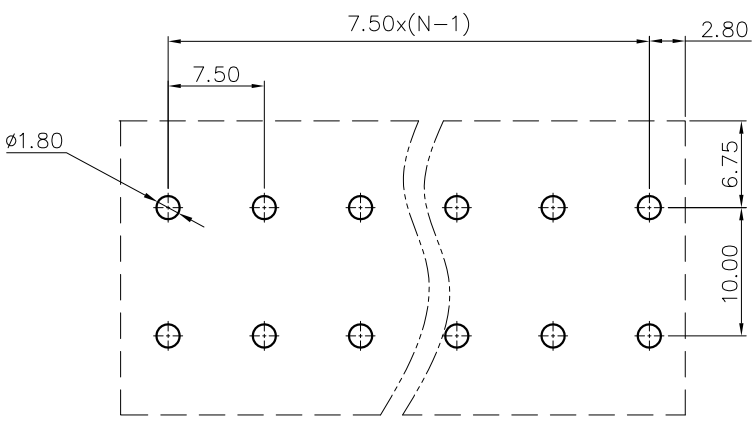
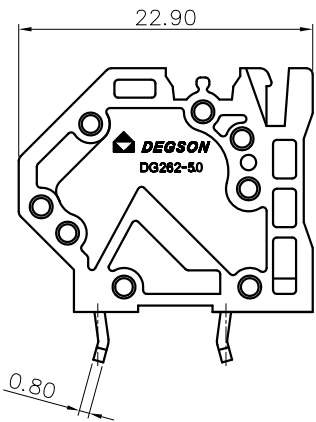
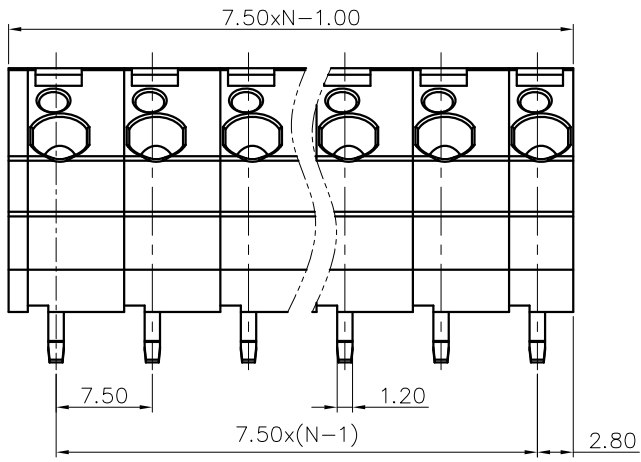
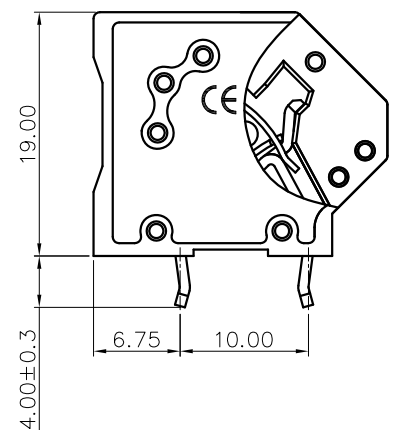
- 2.Wire range : 0.2~4.0mm²

NOTES2:

- 1.Dimension shall be interpreted per ASME Y14.5-2009
 2.Pitch : 7.50mm, Poles : N=02~XXP
 3.Stripping length : 8~9mm
 4.Operating temperature: -40°C~+105°C
 5.Undimensioned tolerances:

Pitch range in mm	Nominal dimension range in mm						0.1/10		
	Over 6 TO 10	Over 10 TO 24	Over 30 TO 60	Over 60 TO 100	Over 100 TO 150	Over 150			
TO 6	±0.15	±0.20	±0.30	±0.30	±0.50	±0.70	±1.00	±1.30	±2'

- 6.RoHS Compliance



PCB LAYOUT

DG262 - 7.5 - XXP - 1Y - 00A (H)
 (Series No.) (Pitch) (Poles) (Single Pitch) (Color):1.(Grey) 2.(Blue) 3.(Black) 4.(Green) 5.(Orange) 6.(Red) 7.(Transparent) 8.(Yellow) 9.(White)
 (RoHS)
 00A--(Standard)

DETACHED LISTS	PART NO.:	/			
	APPD:	/			
	CHKD:	/			
	DRFT:	/			
	THIRD ANGLE PROJECTION	/			
	DRAWING NO.: /		REV	DO	
	SHEET 1/1		SCALE	1:1	
	DO NOT SCALE DRAWING				

宁波高松电子有限公司
DEGSON[®] NINGBO DEGSON ELECTRICAL CO., LTD

NAME: DG262-7.5-XXP-1Y-00A(H)

TITLE: CUSTOMER DRAWING

SCALE: 1:1