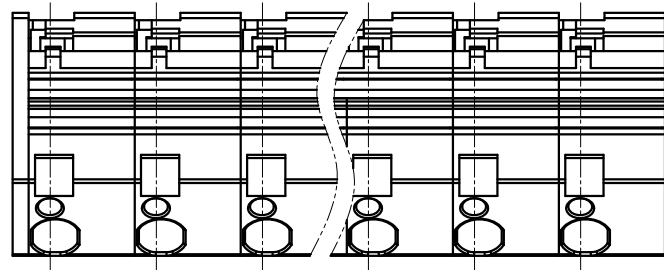


REVISION RECORD				
REV	ECN	DESCRIPTION	DRFT	DATE



NOTES1:

UL Standard

- 1.Rated voltage/current : 300V / 20A
- 2.Withstanding voltage : AC1600V/1Min.
- 3.Wire range : 28~12AWG

IEC Standard

1.

Pollution Degree	2	2	3
Overtoltage Category	II	III	III
Rate Impulse Voltage(KV)	8.0KV	8.0KV	8.0KV
Rate Voltage(V)	1000V	1000V	630V
Rate Current(A)	32A		

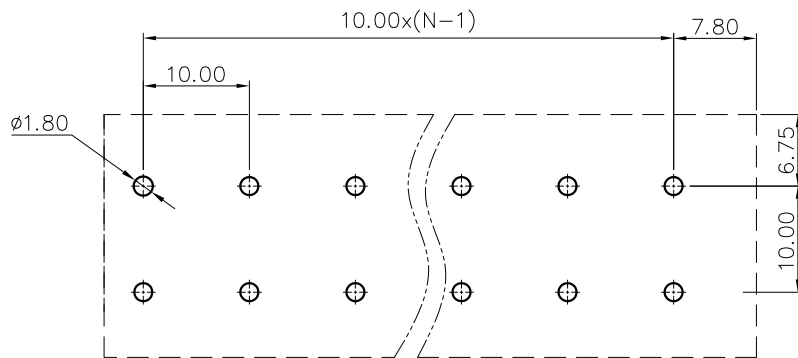
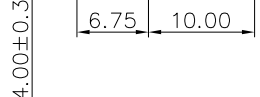
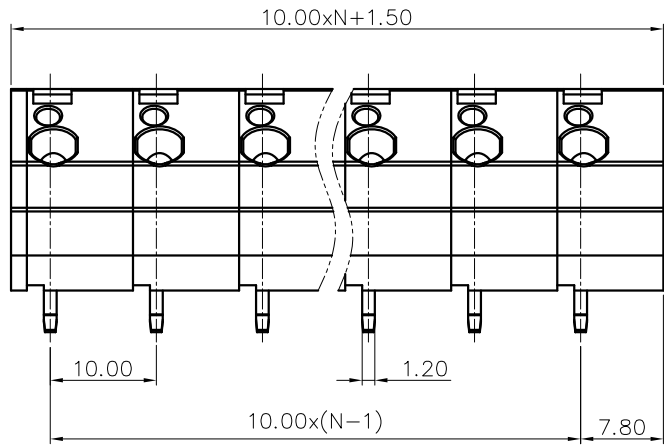
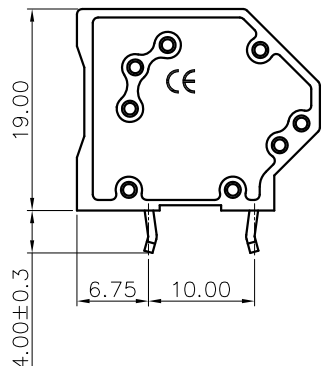
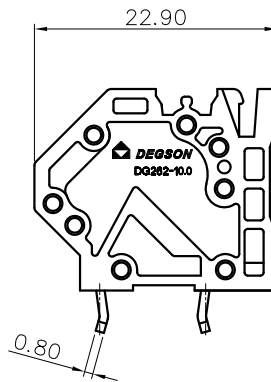
2.Wire range : 0.2~4.0mm²

NOTES2:

- 1.Dimension shall be interpreted per ASME Y14.5-2009
- 2.Pitch : 10.00mm, Poles : N=01~XXP
- 3.Stripping length : 8~9mm
- 4.Operating temperature: -40°C~+105°C
- 5.Undimensioned tolerances:

Pitch range in mm	Nominal dimension range in mm						0.1/10
	Over 6 TO 10	Over 10 TO 24	Over 30 TO 60	Over 60 TO 100	Over 100 TO 150	Over 150	
TO 6	±0.15	±0.20	±0.30	±0.50	±0.70	±1.00	±1.30
							±2'

6.RoHS Compliance



PCB LAYOUT

DG262 -10.0 - XXP - 1Y - 00A (H)
 (Series No.) (Pitch) (Poles) (Single Pitch) (Color):1.(Grey)
 2.(Blue)
 3.(Black)
 4.(Green)
 5.(Orange)
 6.(Red)
 7.(Transparent)
 8.(Yellow)
 9.(White)

DETACHED LISTS	PART NO.:	宁波高松电子有限公司 NINGBO DEGSON ELECTRICAL CO., LTD			
	APPD:	NAME: DG262-10.0-XXP-1Y-00A(H)			
	CHKD:	TITLE: CUSTOMER DRAWING			
	DRFT:	DRAWING NO.:		REV	DO
THIRD ANGLE PROJECTION		DO NOT SCALE DRAWING		SHEET 1/1	
		MM (INCH)	SCALE	1:1	