

REVISION RECORD

REV	ECN	DESCRIPTION	DRFT	DATE
-----	-----	-------------	------	------

NOTES1:

UL Standard

- 1.Rated voltage/current : 300V / 66A
- 2.Withstanding voltage : AC1600V/1Min.
- 3.Wire range : 24~4AWG

IEC Standard

1. Pollution Degree	2	2	3
Overvoltage Category	II	III	III
Rate Impulse Voltage(KV)	8.0KV	8.0KV	8.0KV
Rate Voltage(V)	1000V	1000V	630V
Rate Current(A)	76A		

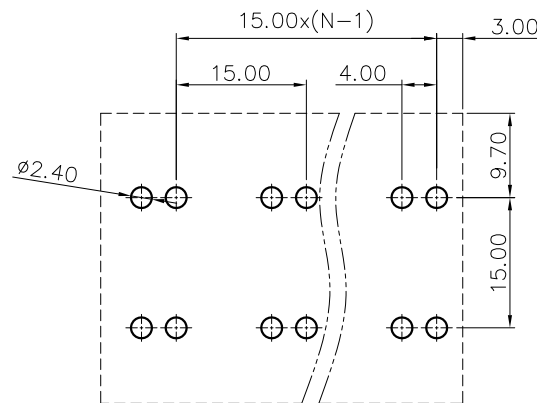
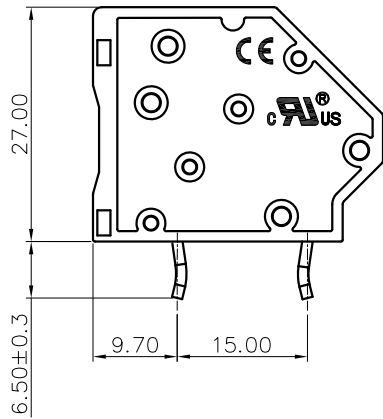
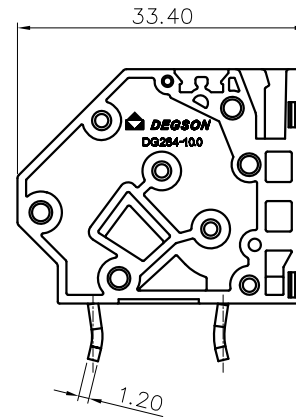
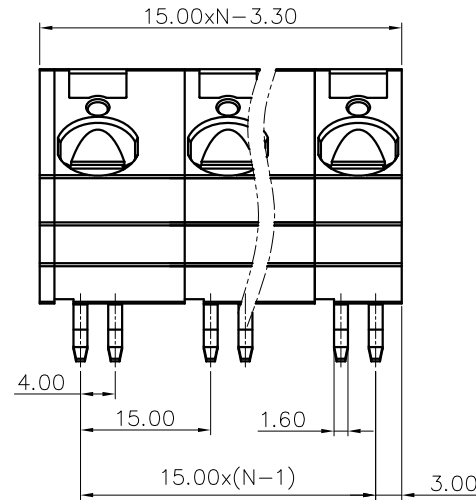
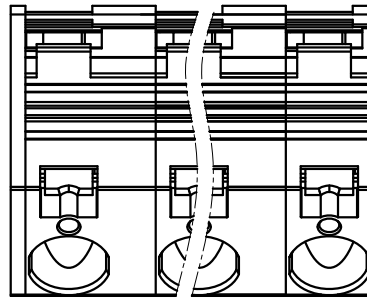
- 2.Wire range : 0.2~16.0mm²

NOTES2:

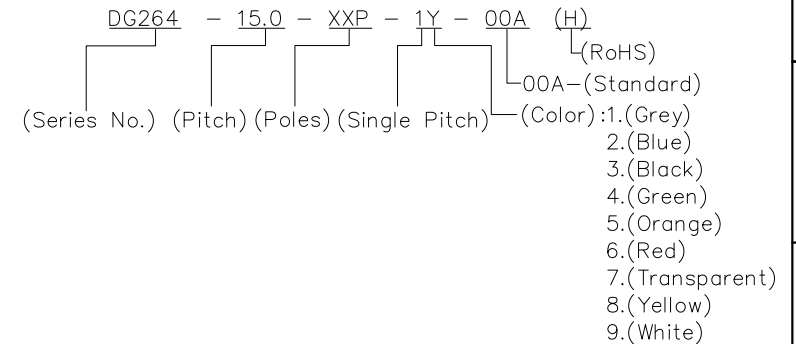
- 1.Dimension shall be interpreted per ASME Y14.5-2009
- 2.Pitch : 15.00mm, Poles : N=02~XXP
- 3.Stripping length : 12~13mm
- 4.Operating temperature: -40°C~+105°C
- 5.Undimensioned tolerances:

Pitch range in mm	Nominal dimension range in mm									0.1/10
	Over 6 TO 6	Over 10 TO 10	Over 15 TO 15	Over 20 TO 20	Over 25 TO 25	Over 30 TO 30	Over 40 TO 40	Over 50 TO 50	Over 60 TO 60	
	±0.15	±0.20	±0.30	±0.30	±0.50	±0.70	±1.00	±1.30	±2*	

- 6.RoHS Compliance



PCB LAYOUT



DETACHED LISTS	PART NO.:	NINGBO DEGSON ELECTRICAL CO., LTD			
	APPD:	NAME: DG264-15.0-XXP-1Y-00A(H)			
	CHKD:	TITLE: CUSTOMER DRAWING		REV	D0
	DRFT:	DRAWING NO.:		SHEET	1/1
THIRD ANGLE PROJECTION		MM (INCH)	DO NOT SCALE DRAWING	SCALE	1:1