

REVISION RECORD

REV	ECN	DESCRIPTION	DRFT	DATE

NOTES1:

UL Standard

- 1.Rated voltage/current : 600V / 65A
- 2.Withstanding voltage : AC2200V/1Min.
- 3.Wire range : 24~6AWG

IEC Standard

1.

Pollution Degree	2	2	3
Overvoltage Category	II	III	III
Rate Impulse Voltage(KV)	12.0KV	12.0KV	12.0KV
Rate Voltage(V)	1000V	1000V	1000V
Rate Current(A)	76A		

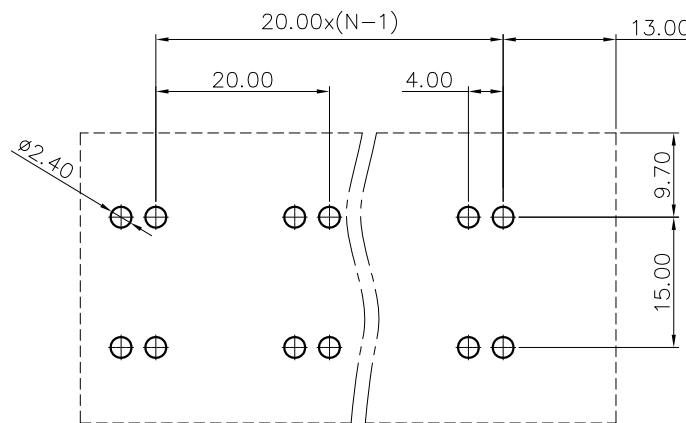
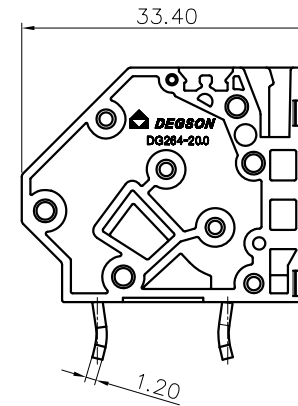
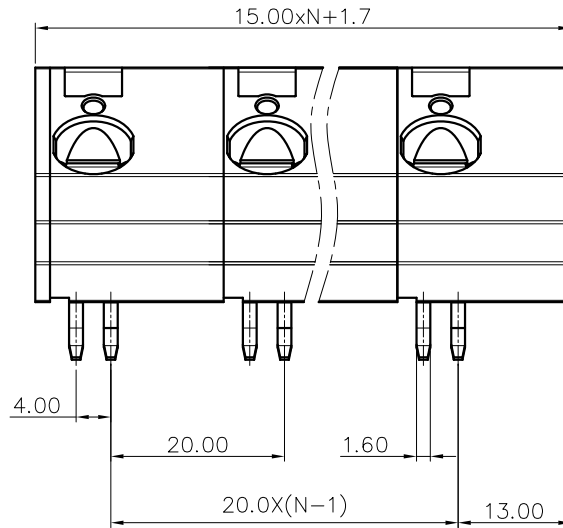
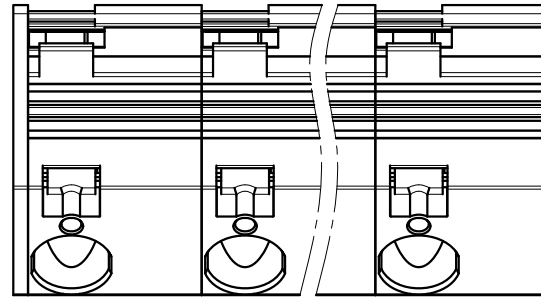
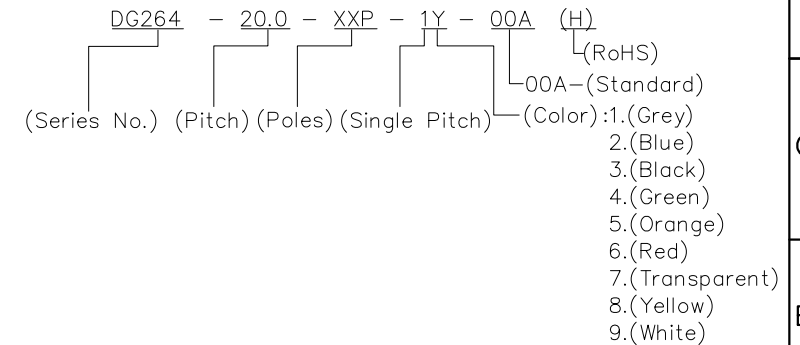
2.Wire range : 0.2~16.0mm²

NOTES2:

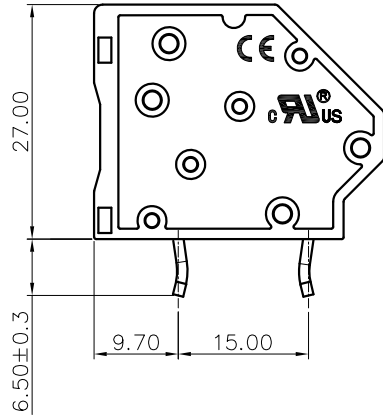
- 1.Dimension shall be interpreted per ASME Y14.5-2009
- 2.Pitch : 20.00mm, Poles : N=01~12P
- 3.Stripping length : 12~13mm
- 4.Operating temperature: -40°C~+105°C
- 5.Undimensioned tolerances:

Pitch range in mm		Nominal dimension range in mm				0.1/10
TO 6	Over 6 TO 10	Over 10 TO 24	Over 30 TO 60	Over 60 TO 100	Over 100 TO 150	0.1/10
±0.15	±0.20	±0.30	±0.30	±0.50	±0.70	±1.30
						±2'

6.RoHS Compliance



PCB LAYOUT



DETACHED LISTS	PART NO.:	/		
	APPD:	/		
	CHKD:	/		
	DRFT:	/		
	THIRD ANGLE PROJECTION		/	
NAME:		NINGBO DEGSON ELECTRICAL CO., LTD		
NAME:		DG264-20.0-XXP-1Y-00A(H)		
TITLE:		CUSTOMER DRAWING	REV	D0
DRAWING NO.:		/	SHEET	1/1
MM (INCH)		DO NOT SCALE DRAWING	SCALE	1:1