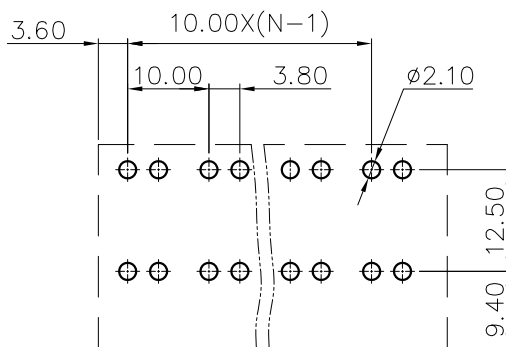
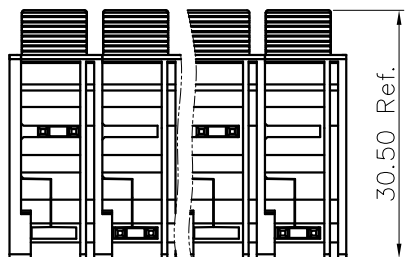
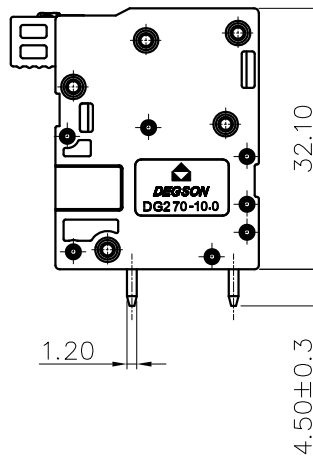
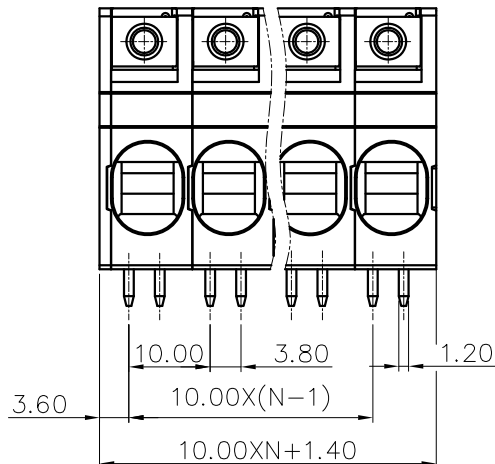
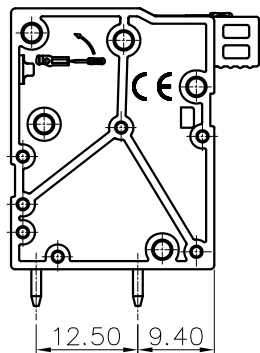


REVISION RECORD				
REV	ECN	DESCRIPTION	DRFT	DATE



PCB LAYOUT

NOTES1:

UL Standard

- 1. Rated voltage/current : 150V / 51A
- 2. Withstanding voltage : AC1300V/1Min.
- 3. Wire range : 18~6AWG

IEC Standard

1. Pollution degree	3	2	2
Overvoltage category	III	III	II
Rate impulse voltage(KV)	4.0KV	4.0KV	4.0KV
Rate voltage(V)	400V	400V	800V
Rate current(A)	76A		

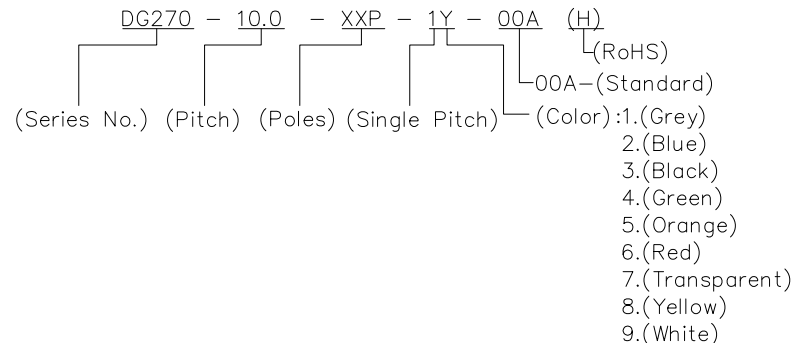
- 2. Wire range : 0.75~16mm²

NOTES2:

- 1. Dimension shall be interpreted per ASME Y14.5-2009
- 2. Pitch : 10.00mm, Poles : N=01~XXP
- 3. Stripping length : 18mm
- 4. Operating temperature : -40°C~+105°C
- 5. Undimensioned tolerances:

Pitch range in mm		Nominal dimension range in mm				Tolerances				
TO	Over	TO	Over	TO	Over	TO	Over			
6	10	6	10	30	60	100	150	0.1/10		
10	24	30	60	100	150			<		
		±0.15	±0.20	±0.30	±0.30	±0.50	±0.70	±1.00	±1.30	±2'

6. RoHS Compliance



DETACHED LISTS	PART NO.:	/			
	APPD:	/			
	CHKD:	/			
	DRFT:	/			
<p>THIRD ANGLE PROJECTION</p>		<p>MM (INCH)</p>		<p>DO NOT SCALE DRAWING</p>	
<p>NINGBO DEGSON ELECTRICAL CO., LTD</p>		<p>NAME: DG270-10.0-XXP-1Y-00A(H)</p>		REV	DO
		TITLE: CUSTOMER DRAWING		SHEET	1/1
		DRAWING NO.:		SCALE	1:1