

REVISION RECORD

REV	ECN	DESCRIPTION	DRFT	DATE
-----	-----	-------------	------	------

NOTES1:

UL Standard

- 1.Rated voltage/current : 300V / 10A
- 2.Withstanding voltage : AC1600V/1Min.
- 3.Wire range : 30~16AWG

IEC Standard

1. Pollution degree	2	2	3
Overvoltage category	II	III	III
Rate impulse voltage(KV)	4.0KV	4.0KV	4.0KV
Rate voltage(V)	6.30V	320V	250V
Rate current(A)	10A		

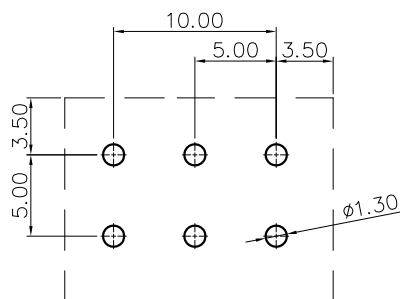
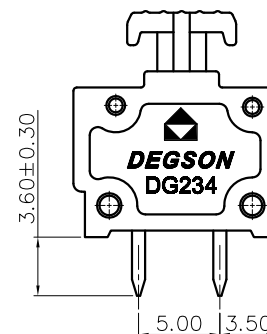
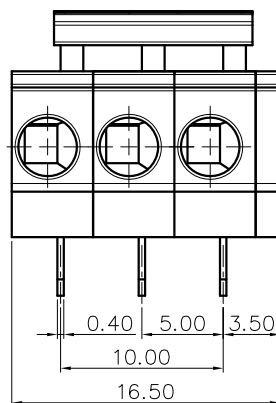
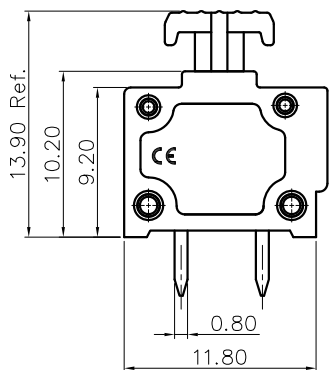
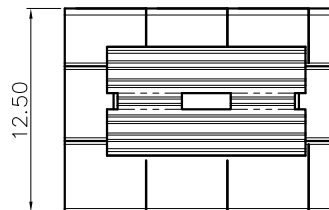
- 2.Wire range : 0.5~1.5mm²

NOTES2:

- 1.Dimension shall be interpreted per ASME Y14.5-2009
- 2.Pitch : 5.0mm, Poles : 03P
- 3.Stripping length : 10mm
- 4.Operating temperature: -40°C~+105°C
- 5.Undimensioned tolerances:

Pitch range in mm		Nominal dimension range in mm						
TO	Over	TO	Over	TO	Over			
6	10	10	24	30	60	100	150	0.1/10
±0.15	±0.20	±0.30	±0.30	±0.50	±0.70	±1.00	±1.30	±2°

- 6.RoHS Compliance



PCB LAYOUT

DG234 - 5.0 - 03P - 1Y - 100A (H)
 (Series No.) (Pitch)(Poles)(Single Pitch) (Color):1.(Grey)
 2.(Blue)
 3.(Black)
 4.(Green)
 5.(Orange)
 6.(Red)
 7.(Transparent)
 8.(Yellow)
 9.(White)
 (RoHS)
 100A-(Customer Request)

DETACHED LISTS	PART NO.:	/			
	APPD:	/			
	CHKD:	/			
	DRFT:	/			
		THIRD ANGLE PROJECTION		DRAWING NO.: / DO NOT SCALE DRAWING	
		MM (INCH)		REV	DO
				SHEET	1/1
				SCALE	1:1

宁波高松电子有限公司
 NINGBO DEGSON ELECTRICAL CO., LTD

NAME: DG234-5.0-03P-1Y-100A(H)

TITLE: CUSTOMER DRAWING

REVISION RECORD

SCALE: 1:1