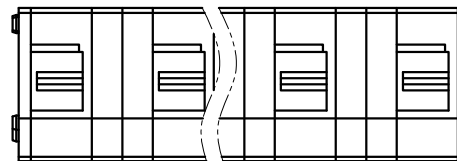


REVISION RECORD				
REV	ECN	DESCRIPTION	DRFT	DATE

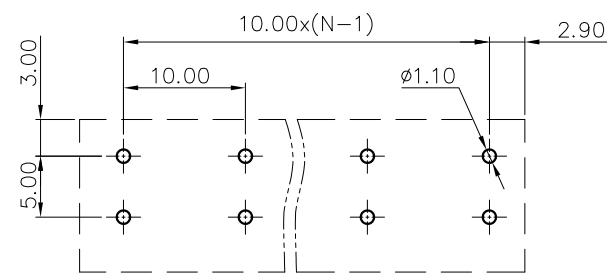
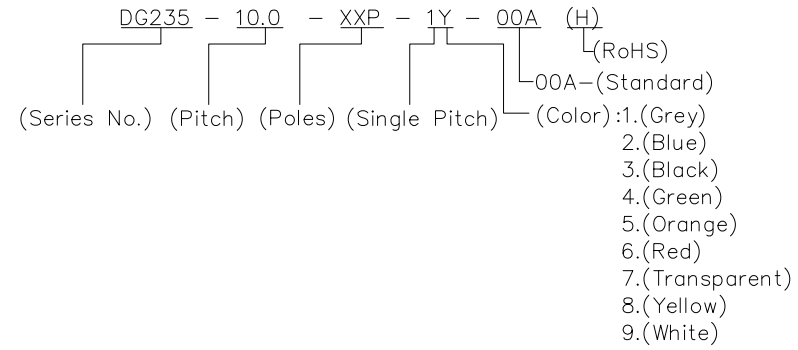
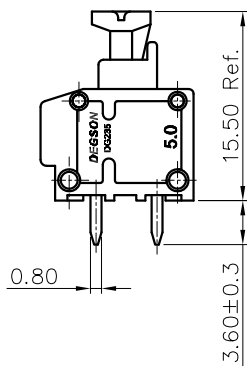
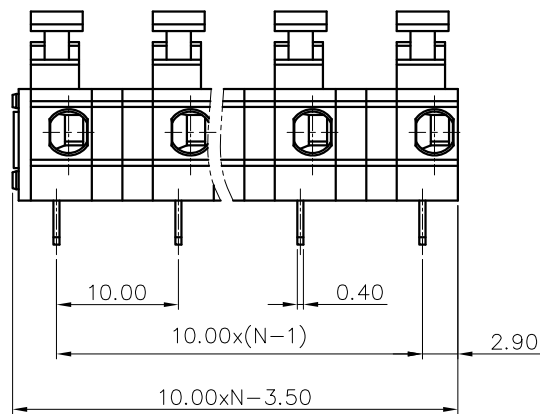
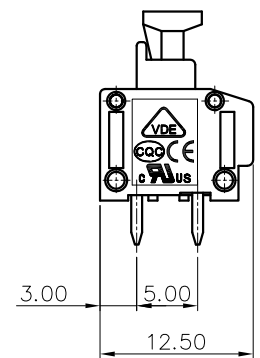


NOTES1:
 UL Standard
 1.Rated voltage/current : 300V / 5A
 2.Wire range : 20~18AWG
 IEC Standard
 1.Rated voltage/current : 750V / 15A
 2.Wire range : 0.2~1.5mm²(str)
 0.2~2.5mm²(sol)

NOTES2:
 1.Dimension shall be interpreted per ASME Y14.5-2009
 2.Pitch : 10.00mm, Poles : N=01~XXP
 3.Stripping length : 9~10mm
 4.Withstanding voltage : AC3000V/1Min.
 5.Operating temperature: -40°C~+105°C
 6.Undimensioned tolerances:

Pitch range in mm		Nominal dimension range in mm						±	∠
TO	Over TO	TO	Over TO	TO	Over TO	TO	Over TO	0.1/10	
6	10	10	24	30	60	100	150	<	
±0.15	±0.20	±0.30	±0.30	±0.50	±0.70	±1.00	±1.30	±2'	

7.RoHS Compliance



PCB LAYOUT

DETACHED LISTS	PART NO.:	宁波高松电子有限公司 NINGBO DEGSON ELECTRICAL CO., LTD			
	APPD:	NAME: DG235-10.0-XXP-1Y-00A(H)			
	CHKD:	TITLE: CUSTOMER DRAWING			
	DRFT:	DRAWING NO.:		REV	DO
THIRD ANGLE PROJECTION		MM (INCH)	DO NOT SCALE DRAWING	SHEET 1/1	SCALE 1:1