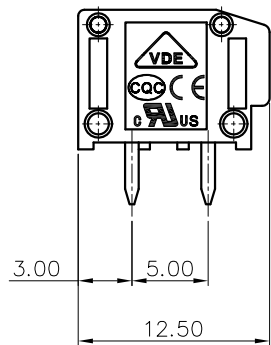
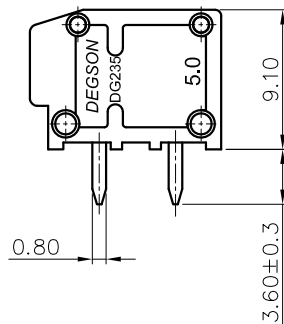
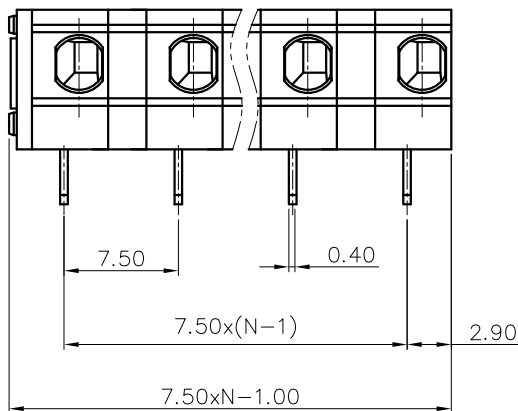
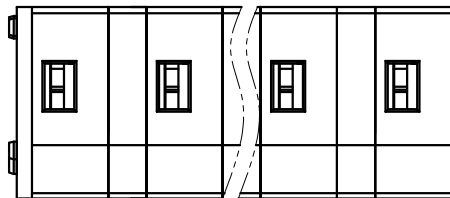


REVISION RECORD				
REV	ECN	DESCRIPTION	DRFT	DATE



NOTES1:

UL Standard

1.Rated voltage/current : 300V / 5A

2.Wire range : 20~18AWG

IEC Standard

1.Rated voltage/current : 450V / 15A

2.Wire range : 0.2~1.5mm²(STR)

0.2~2.5mm²(SOL)

NOTES2:

1.Dimension shall be interpreted per ASME Y14.5-2009

2.Pitch : 7.50mm, Poles : N=01~XXP

3.Stripping length : 9~10mm

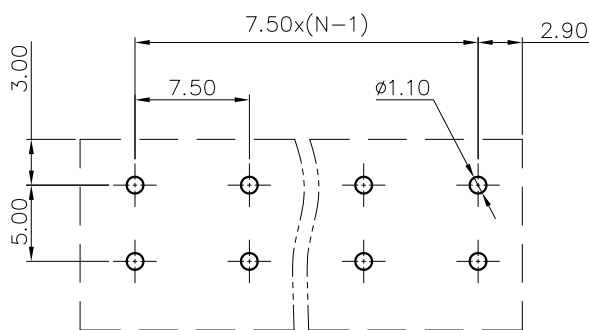
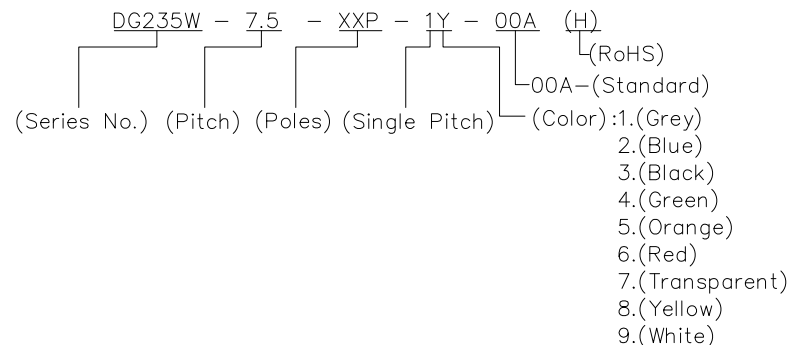
4.Withstanding voltage : AC2500V/1Min.

5.Operating temperature: -40°C~+105°C

6.Undimensioned tolerances:

Pitch range in mm		Nominal dimension range in mm					∓	∠
TO	Over	TO	Over	TO	Over	TO	Over	
6	10	10	24	30	60	100	150	0.1/10
±0.15	±0.20	±0.30	±0.30	±0.50	±0.70	±1.00	±1.30	<

7.RoHS Compliance



PCB LAYOUT

DETACHED LISTS	PART NO.:	NINGBO DEGSON ELECTRICAL CO., LTD			
	APPD:	NAME: DG235W-7.5-XXP-1Y-00A(H)			
	CHKD:	TITLE: CUSTOMER DRAWING			
	DRFT:	DRAWING NO.:		REV	DO
THIRD ANGLE PROJECTION		MM (INCH)	DO NOT SCALE DRAWING	SHEET 1/1	SCALE 1:1