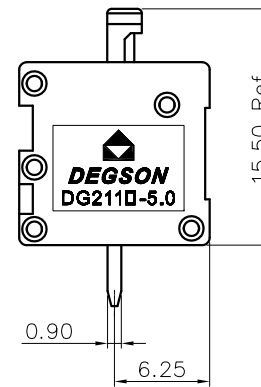
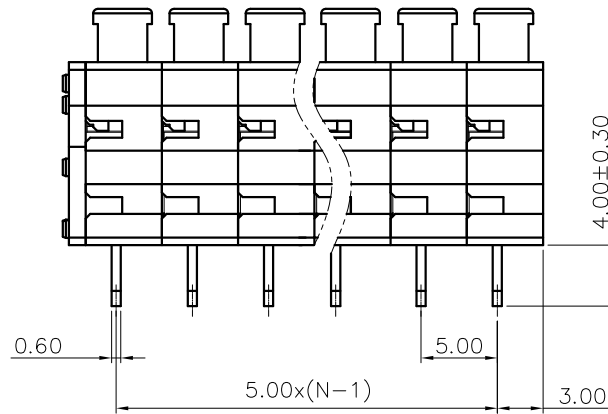
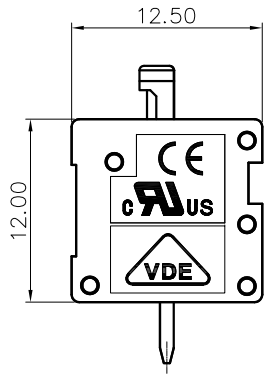
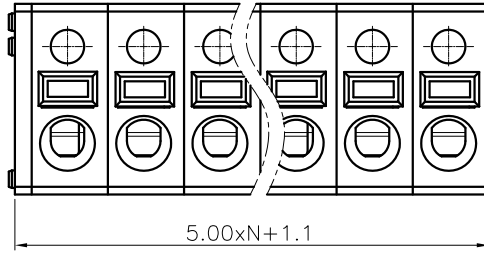


REVISION RECORD

REV	ECN	DESCRIPTION	DRFT	DATE
-----	-----	-------------	------	------



NOTES1:

UL Standard

1. Rated voltage/current : 300V / 8A
2. Wire range : 26~16AWG

IEC Standard

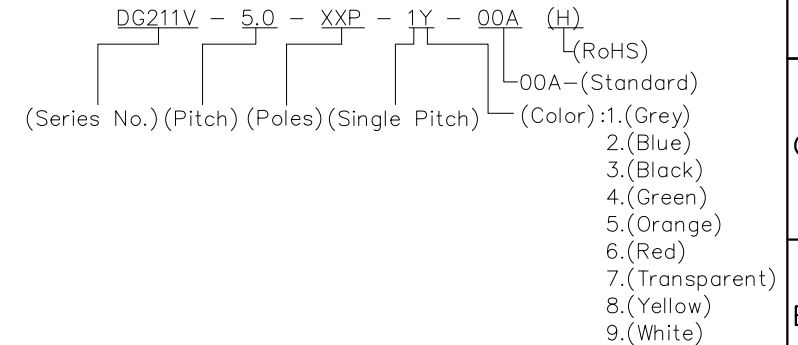
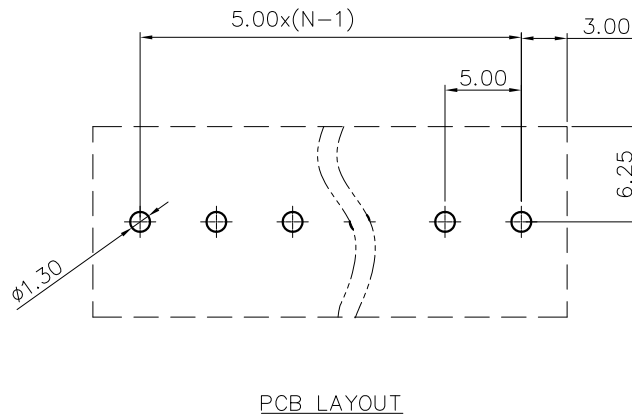
1. Rated voltage/current : 250V / 15A
2. Wire range : 0.2~1.5mm²

NOTES2:

1. Dimension shall be interpreted per ASME Y14.5-2009
2. Pitch : 5.00mm, Poles : N=01-XXP
3. Stripping length : 8~9mm
4. Withstanding voltage : AC2500V/1Min
5. Operating temperature: -40°C~+105°C
6. Undimensioned tolerances:

Pitch range in mm		Nominal dimension range in mm					—	∠
TO	Over	Over	TO	Over	Over	TO	TO	
6	6 TO 10	10 TO 24	30 TO 60	60 TO 100	100 TO 150	150	0.1/10	
	±0.15	±0.20	±0.30	±0.50	±0.70	±1.00	±1.30	
							±2'	

7. RoHS Compliance



DETACHED LISTS	PART NO.:	NINGBO DEGSON ELECTRICAL CO., LTD			
	APPD:	NAME: DG211V-5.0-XXP-1Y-00A(H)			
	CHKD:	TITLE: CUSTOMER DRAWING			
	DRFT:	DRAWING NO.:		REV	DO
THIRD ANGLE PROJECTION		MM (INCH)	DO NOT SCALE DRAWING	SHEET 1/1	SCALE 1:1