

REVISION RECORD				
REV	ECN	DESCRIPTION	DRFT	DATE

NOTES1:

UL Standard

1.Rated voltage/current : 150V / 5A

2.Wire range : 28~20AWG

IEC Standard

1.Rated voltage/current : 130V / 6A

3.Wire range : 0.2~0.5mm²

NOTES2:

1.Dimension shall be interpreted per ASME Y14.5-2009

2.Pitch : 2.50mm, Poles : N=01~XXP

3.Stripping length : 5~6mm

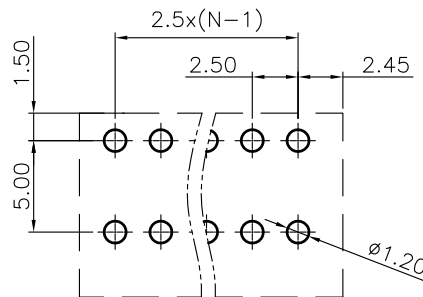
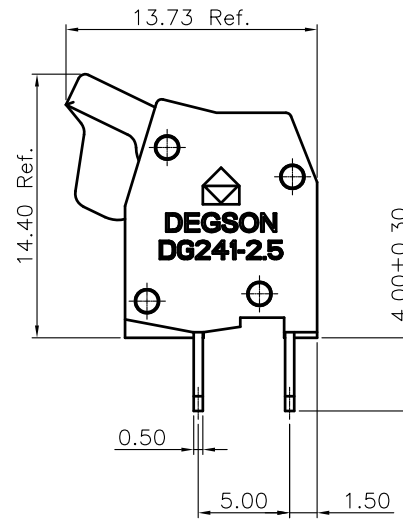
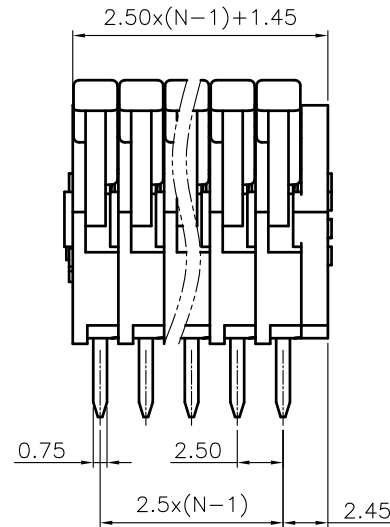
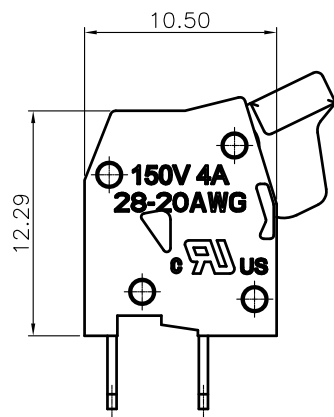
4.Withstanding voltage : AC1500V/1Min

5.Operating temperature:-40°C~+105°C

6.Undimensioned tolerances:

Pitch range in mm		Nominal dimension range in mm				-	∩	∇
TO	Over	Over	Over	Over	Over	0.1/10		
6	10	10	30	60	100	150		
±0.15	±0.20	±0.30	±0.30	±0.50	±0.70	±1.00	±1.30	±2'

7.RoHS Compliance



PCB LAYOUT

DG241 - 2.5 - XXP - 1Y - 00A (H)
 (Series No.)(Pitch) (Poles)(Single Pitch) (Color):1.(Grey)
 2.(Blue)
 3.(Black)
 4.(Green)
 5.(Orange)
 6.(Red)
 7.(Transparent)
 8.(Yellow)
 9.(White)

DETACHED LISTS	PART NO.:	/			
	APPD:	/			
	CHKD:	/			
	DRFT:	/			
	THIRD ANGLE PROJECTION				
NAME:		宁波高松电子有限公司 NINGBO DEGSON ELECTRICAL CO., LTD DEGSON®			
TITLE:		CUSTOMER DRAWING			
DRAWING NO.:		/			
DO NOT SCALE DRAWING		REV	DO		
MM (INCH)		SHEET	1/1		
SCALE		1:1			