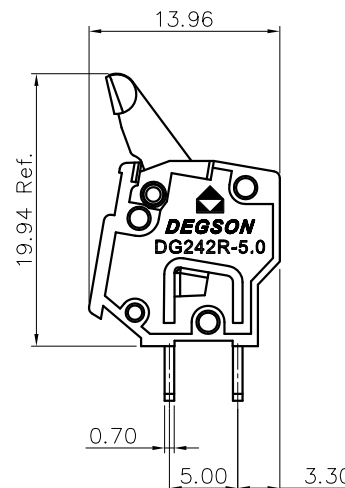
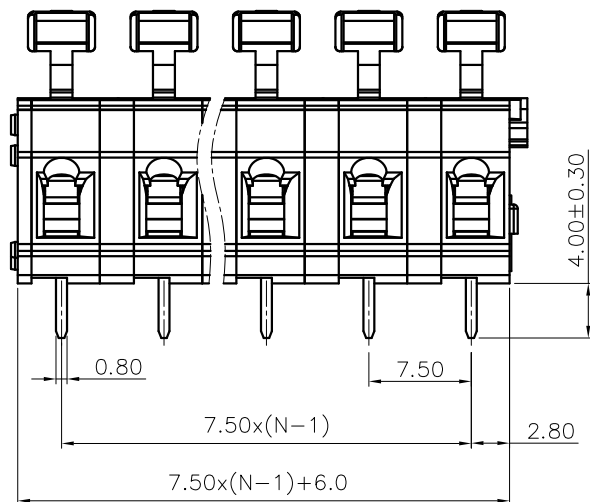
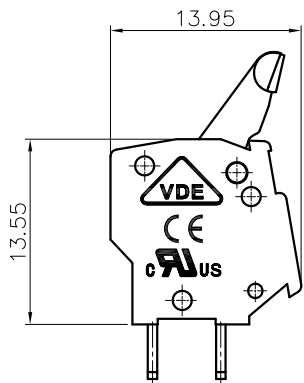


REVISION RECORD				
REV	ECN	DESCRIPTION	DRFT	DATE



NOTES1:

UL Standard

1. Rated voltage/current : 300V / 15A

2. Wire range : 28~12AWG

IEC Standard

1. Rated voltage/current : 750V / 17A

3. Wire range : 0.2~2.5mm<sup>2</sup>

NOTES2:

1. Dimension shall be interpreted per ASME Y14.5-2009

2. Pitch : 7.50mm, Poles : N=01-XXP

3. Stripping length : 5~6mm

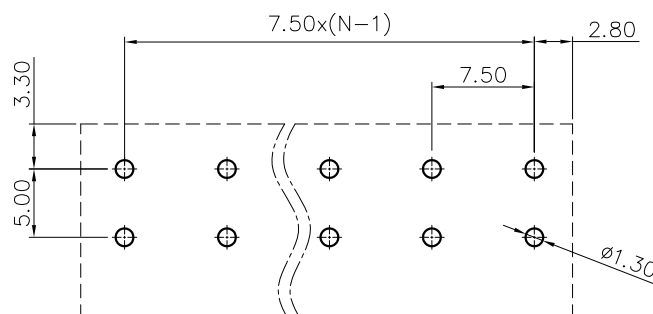
4. Withstanding voltage : AC3000V/1Min

5. Operating temperature : -40°C~+150°C

6. Undimensioned tolerances:

Pitch Range In mm		Nominal Dimension Range In mm						-	∩	∠
TO	Over	Over	Over	Over	Over	Over	0.1/10			
6	10	10	24	30	60	100	150			
±0.15	±0.20	±0.30	±0.30	±0.50	±0.70	±1.00	±1.30		±2°	

7. RoHS Compliance



PCB LAYOUT

DG242R - 7.5 - XXP - 1Y - 00A (H)

(Series No.) (Pitch) (Poles) (Single Pitch) (Color): 1.(Grey)  
 2.(Blue)  
 3.(Black)  
 4.(Green)  
 5.(Orange)  
 6.(Red)  
 7.(Transparent)  
 8.(Yellow)  
 9.(White)

(RoHS)  
 -00A-(Standard)

DETACHED LISTS	PART NO.:	NINGBO DEGSON ELECTRICAL CO., LTD			
	APPD:	NAME: DG242R-7.5-XXP-1Y-00A(H)			
	CHKD:	TITLE: CUSTOMER DRAWING		REV	DO
	DRFT:	DRAWING NO.:		SHEET	1/1
THIRD ANGLE PROJECTION		MM (INCH)	DO NOT SCALE DRAWING	SCALE	1:1