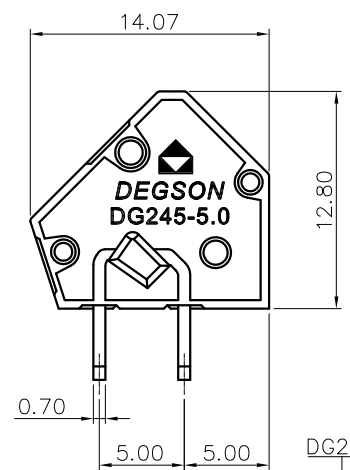
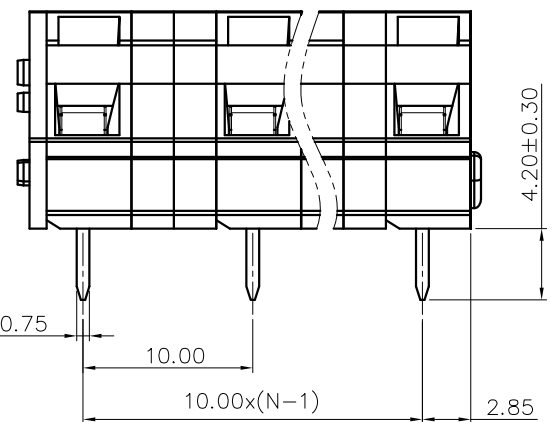
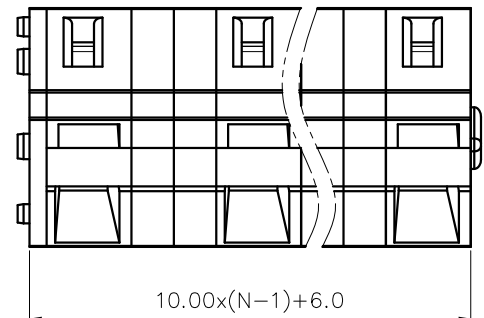


REVISION RECORD				
REV	ECN	DESCRIPTION	DRFT	DATE

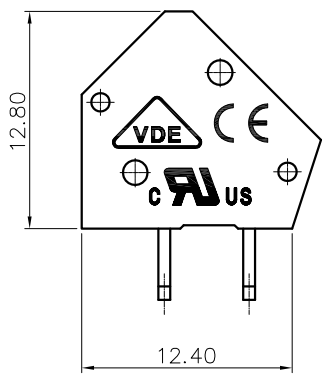


NOTES1:
 UL Standard
 1.Rated voltage/current : 300V / 15A
 2.Wire range : 28~12AWG
 IEC Standard
 1.Rated voltage/current : 1000V / 17A
 2.Wire range : 2.5mm²

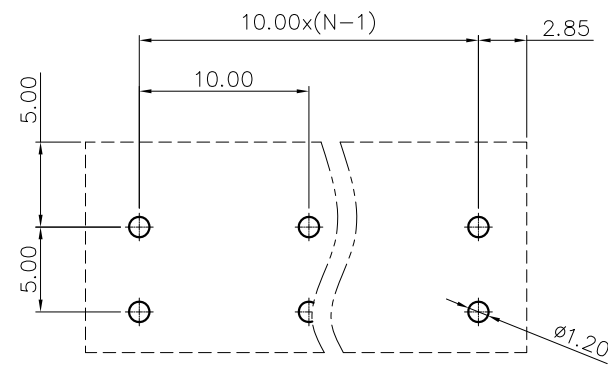
NOTES2:
 1.Dimension shall be interpreted per ASME Y14.5-2009
 2.Pitch : 10.00mm, Poles : N=01~XXP
 3.Stripping length : 5~6mm
 4.Withstanding voltage : AC3500V/1Min
 5.Operating temperature : -40°C~+105°C
 6.Undimensioned tolerances:

Pitch range in mm		Nominal dimension range in mm						0.1/10
TO 6	Over 6 TO 10	Over 10 TO 24	Over 30 TO 30	Over 60 TO 60	Over 100 TO 100	Over 150 TO 150	0.1/10	
±0.15	±0.20	±0.30	±0.30	±0.50	±0.70	±1.00	±2*	

7.RoHS Compliance



DG245 - 10.0 - XXP - 1Y - 00A (H)
 (Series No.) (Pitch) (Poles) (Single Pitch) (Color): 1.(Grey)
 2.(Blue)
 3.(Black)
 4.(Green)
 5.(Orange)
 6.(Red)
 7.(Transparent)
 8.(Yellow)
 9.(White)



PCB LAYOUT

DETACHED LISTS	PART NO.:	NINGBO DEGSON ELECTRICAL CO., LTD			
	APPD:	NAME: DG245-10.0-XXP-1Y-00A(H)			
	CHKD:	TITLE: CUSTOMER DRAWING			
	DRFT:	DRAWING NO.:		REV	DO
	THIRD ANGLE PROJECTION		MM (INCH)	DO NOT SCALE DRAWING	SCALE 1:1

H
G
F
E
D
C
B
A

H
G
F
E
D
C
B
A