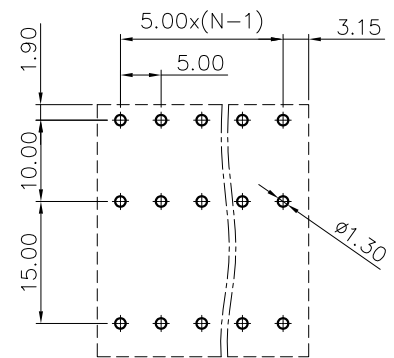
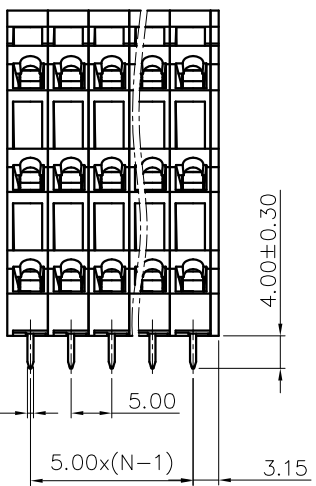
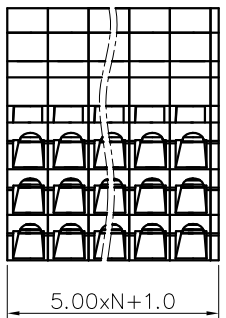


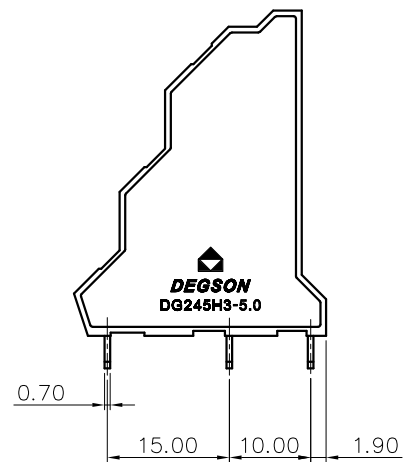
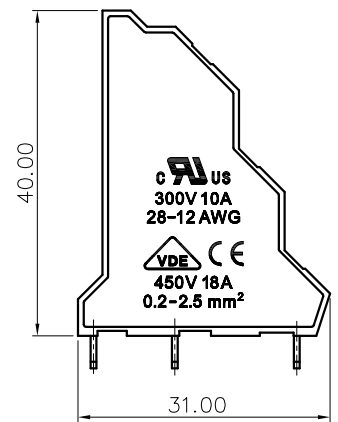
REVISION RECORD				
REV	ECN	DESCRIPTION	DRFT	DATE

H  
G  
F  
E  
D  
C  
B  
A

H  
G  
F  
E  
D  
C  
B  
A



PCB LAYOUT



NOTES1:

- UL Standard
  - Rated voltage/current : 300V / 10A
  - Wire range : 28~12AWG
- IEC Standard
  - Rated voltage/current : 450V / 18A
  - Wire range : 0.2~2.5mm<sup>2</sup>

NOTES2:

- Dimension shall be interpreted per ASME Y14.5-2009
- Pitch : 5.00mm, Poles : N=03~XXP
- Stripping length : 5~6mm
- Withstanding voltage : AC2500V/1Min
- Operating temperature: -40°C~+105°C
- Undimensioned tolerances:

Pitch Range In mm	Nominal Dimension Range		-	/
	Over TO	Over TO		
6 TO 10	6 TO 10	24 TO 30	0.1	10
±0.15	±0.20	±0.30	±0.50	±1.00
			±1.30	±2'

7.RoHS Compliance

DG245H3 - 5.0 - XXP - 1Y - 00A (H)  
 (Series No.)(Pitch) (Poles)(Single Pitch) (Color):1.(Grey)  
 2.(Blue)  
 3.(Black)  
 4.(Green)  
 5.(Orange)  
 6.(Red)  
 7.(Transparent)  
 8.(Yellow)  
 9.(White)

DETACHED LISTS	PART NO.:	宁波高松电子有限公司 NINGBO DEGSON ELECTRICAL CO., LTD			
	APPD:	NAME: DG245H3-5.0-XXP-1Y-00A(H)			
	CHKD:	TITLE: CUSTOMER DRAWING			
	DRFT:	DRAWING NO.:		REV	DO
THIRD ANGLE PROJECTION		MM (INCH)	DO NOT SCALE DRAWING	SHEET 1/1	SCALE 1:1