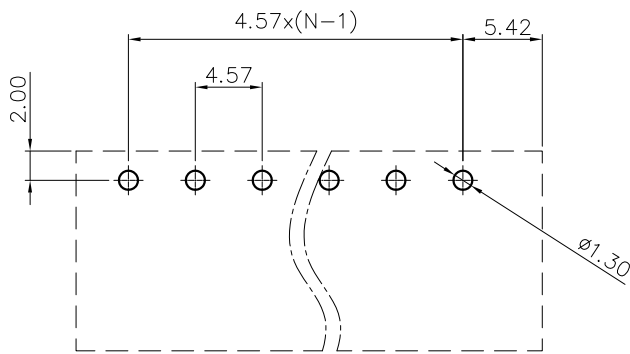
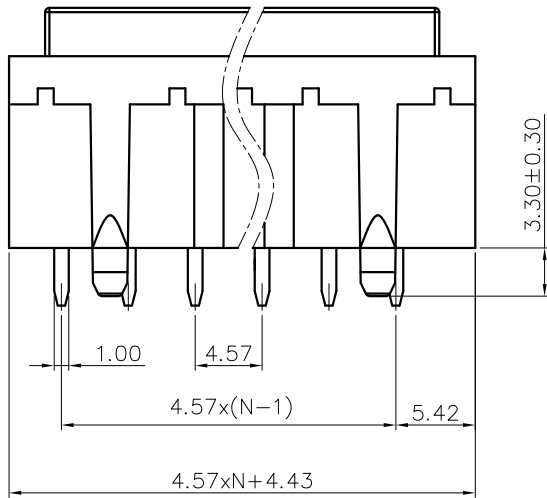
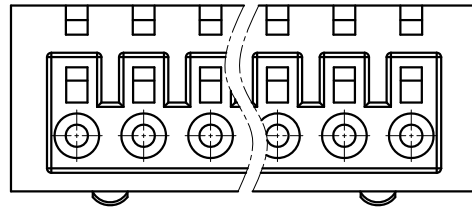
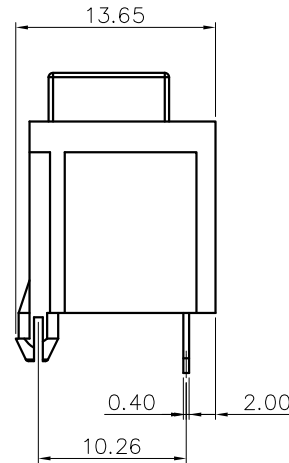
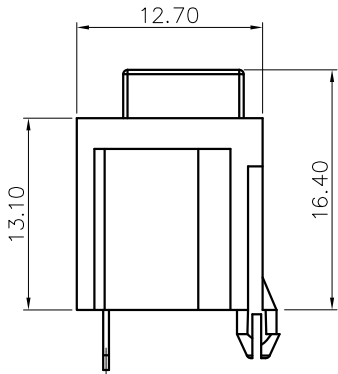


REVISION RECORD				
REV	ECN	DESCRIPTION	DRFT	DATE



PCB LAYOUT



NOTES1:

UL Standard

1.Rated voltage/current : 300V / 2A

3.Wire range : 20~16AWG

IEC Standard

1.Rated voltage/current : 250V / 2A

3.Wire range : 0.5~0.75mm²

NOTES2:

1.Dimension shall be interpreted per ASME Y14.5-2009

2.Pitch : 4.57mm, Poles : N=03~10P

3.Stripping length : 8mm

4.Withstanding voltage : AC2200V/1Min

5.Operating temperature:-40°C~+105°C

6.Undimensioned tolerances:

Pitch range in mm			Nominal dimension range in mm					-	∩	∇
To	Over	Over	To	Over	Over	Over	0.1/10			
6	10	24	30	60	100	150	≤			
±0.15	±0.20	±0.30	±0.30	±0.50	±0.70	±1.00	±1.30	±2'		

7.RoHS Compliance

DG295 - 4.57 - XXP - 1Y - 00A (H)
 (Series No.) (Pitch) (Poles) (Single Pitch) (Color): 1.(Grey)
 2.(Blue)
 3.(Black)
 4.(Green)
 5.(Orange)
 6.(Red)
 7.(Transparent)
 8.(Yellow)
 9.(White)

DETACHED LISTS	PART NO.:	/			
	APPD:	/			
	CHKD:	/			
	DRFT:	/			
		<p>THIRD ANGLE PROJECTION</p>		<p>DO NOT SCALE DRAWING</p>	
		DRAWING NO.:		REV	DO
		/		SHEET	1/1
		MM (INCH)		SCALE	1:1

宁波高松电子有限公司
DEGSON NINGBO DEGSON ELECTRICAL CO., LTD

NAME: DG295-4.57-XXP-1Y-00A(H)

TITLE: CUSTOMER DRAWING

DRAWING NO.:

MM (INCH)

REV

DO

SHEET 1/1

SCALE 1:1