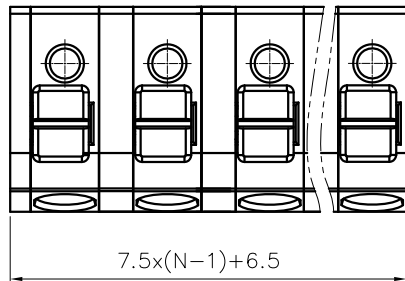


REVISION RECORD				
REV	ECN	DESCRIPTION	DRFT	DATE



NOTES1:

UL Standard

- 1. Rated voltage/current : 300V / 12A
- 2. Wire range : 20~12AWG

IEC Standard

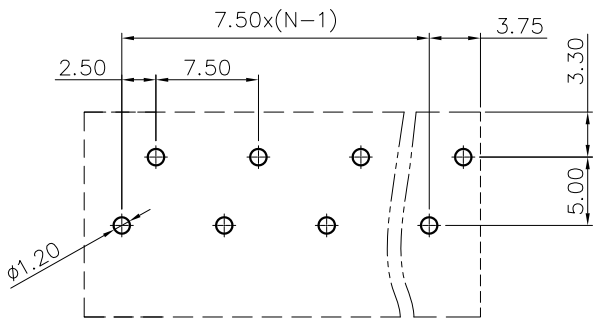
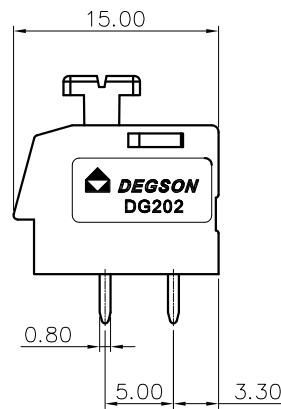
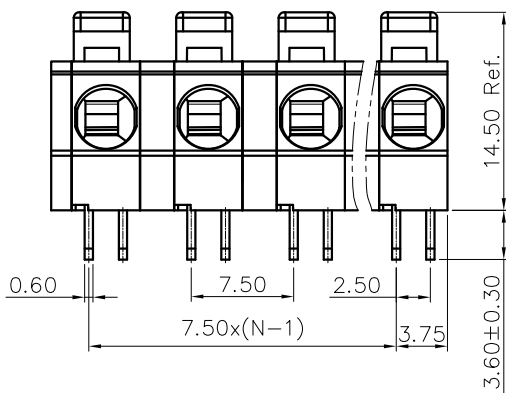
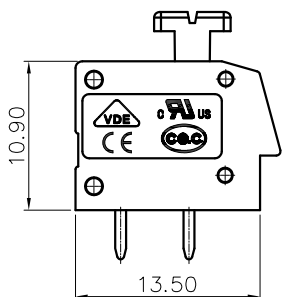
- 1. Rated voltage/current : 450V / 16A
- 2. Wire range : 0.2~2.5mm²

NOTES2:

- 1. Dimension shall be interpreted per ASME Y14.5-2009
- 2. Pitch : 7.50mm, Poles : N=01~XXP
- 3. Stripping length : 10~11mm
- 4. Withstanding voltage : AC2500V/1Min
- 5. Operating temperature : -40°C~+105°C
- 6. Undimensioned tolerances:

Pitch range in mm		Nominal dimension range in mm						-	∩	□
TO	Over	Over	TO	Over	Over	Over	150	0.1/10	∠	
6	6	10	TO	30	60	100	150			
±0.15	±0.20	±0.30	±0.30	±0.50	±0.70	±1.00	±1.30	±2'		

7. RoHS Compliance



PCB LAYOUT

DG202 - 7.5 - XXP - 1Y - 00A (H)
 (Series No.) (Pitch) (Poles) (Single Pitch) (Color): 1.(Grey) 2.(Blue) 3.(Black) 4.(Green) 5.(Orange) 6.(Red) 7.(Transparent) 8.(Yellow) 9.(White)
 (RoHS) 00A-(Standard)

DETACHED LISTS	PART NO.:	宁波高松电子有限公司 NINGBO DEGSON ELECTRICAL CO., LTD			
	APPD:	NAME: DG202-7.5-XXP-1Y-00A(H)			
	CHKD:	TITLE: CUSTOMER DRAWING			
	DRFT:	DRAWING NO.: 3		REV	DO
THIRD ANGLE PROJECTION		DRAWING NO.: 3 SHEET 1/1	REV SCALE 1:1	DO SCALE 1:1	