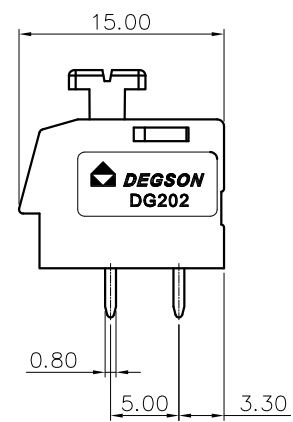
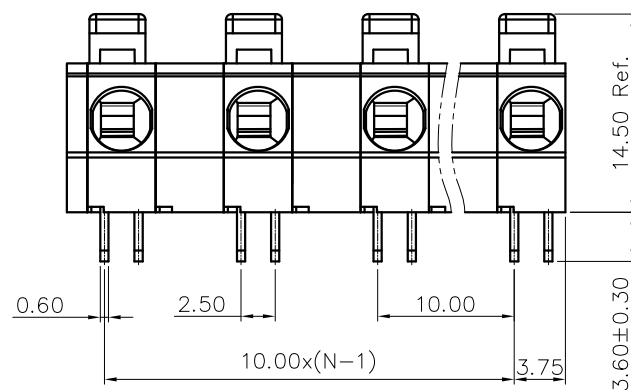
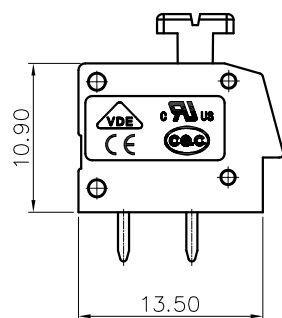
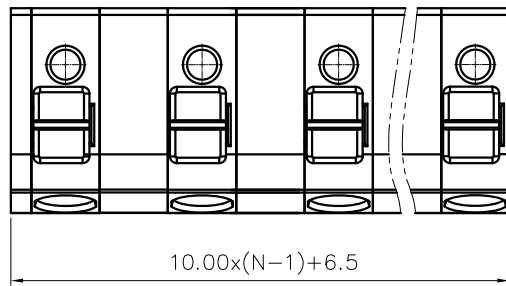


REVISION RECORD				
REV	ECN	DESCRIPTION	DRFT	DATE



NOTES1:

- UL Standard
- 1.Rated voltage/current : 300V / 12A
- 2.Wire range : 20~12AWG
- IEC Standard
- 1.Rated voltage/current : 750V / 16A
- 2.Wire range : 0.2~2.5mm<sup>2</sup>

NOTES2:

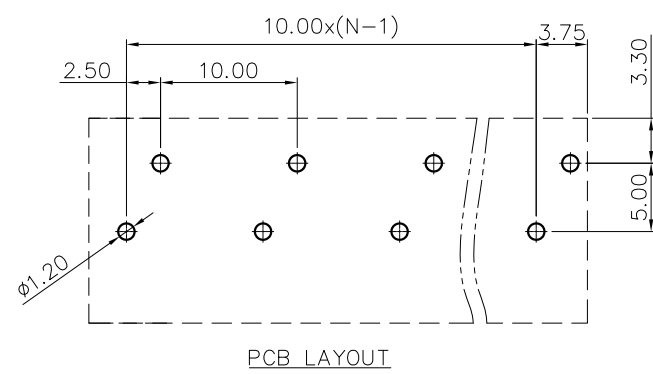
- 1.Dimension shall be interpreted per ASME Y14.5-2009
- 2.Pitch : 10.00mm, Poles : N=01~XXP
- 3.Stripping length : 10~11mm
- 4.Withstanding voltage : AC3000V/1Min
- 5.Operating temperature : -40°C~+105°C
- 6.Undimensioned tolerances:

Pitch range in mm		Nominal dimension range in mm							
TO	Over	TO	Over	TO	Over	TO	Over	TO	
6	10	10	24	30	60	100	150	0.1/10	
±0.15	±0.20	±0.30	±0.30	±0.50	±0.70	±1.00	±1.30	±2'	

7.RoHS Compliance

DG202 - 10.0 - XXP - 1Y - 00A (H)

(Series No.)(Pitch) (Poles)(Single Pitch) (Color):1.(Grey)  
 2.(Blue)  
 3.(Black)  
 4.(Green)  
 5.(Orange)  
 6.(Red)  
 7.(Transparent)  
 8.(Yellow)  
 9.(White)



DETACHED LISTS	PART NO.:	/			
	APPD:	/			
	CHKD:	/			
	DRFT:	/			
	THIRD ANGLE PROJECTION		DRAWING NO.:		/
		NAME:		NINGBO DEGSON ELECTRICAL CO., LTD	
		TITLE:		CUSTOMER DRAWING	
		REV		DO	
		SHEET		1/1	
		SCALE		1:1	