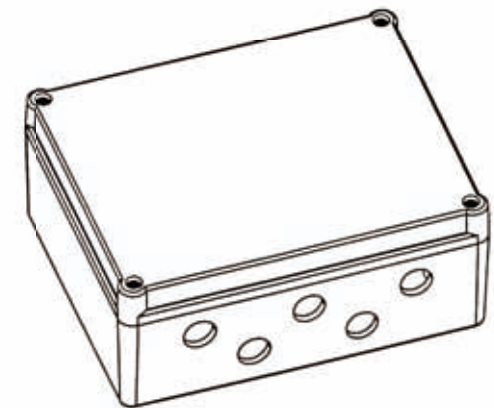
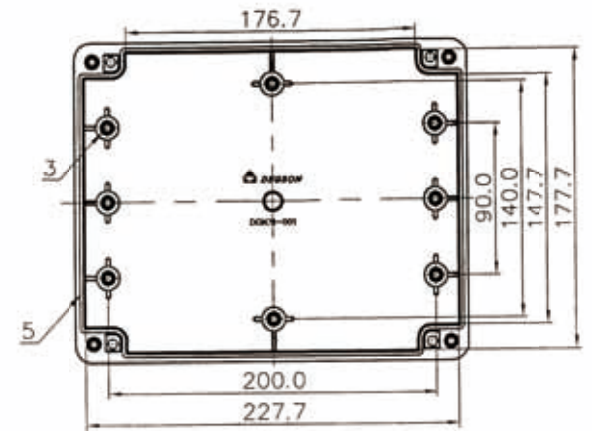
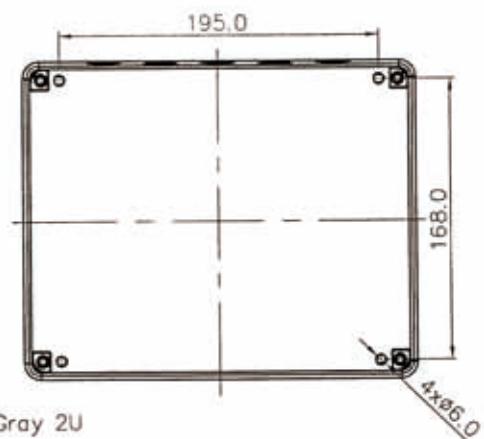
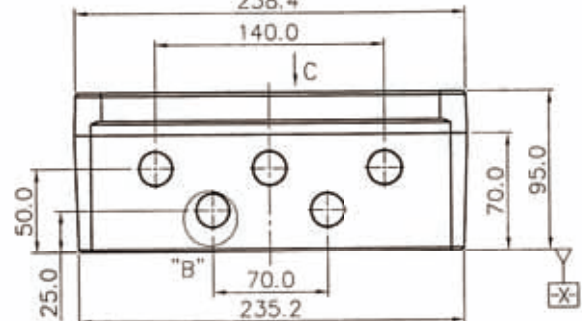
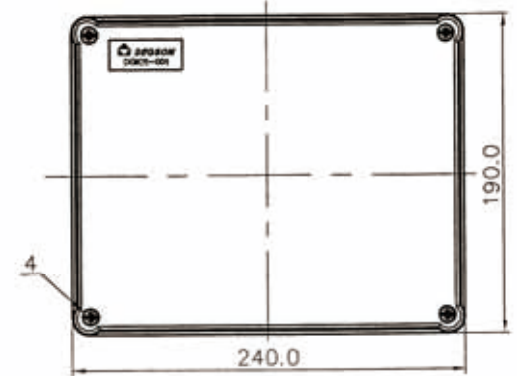
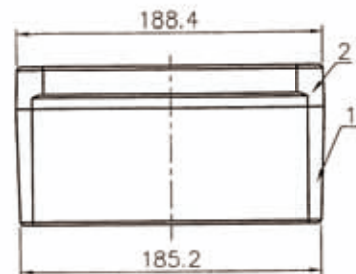
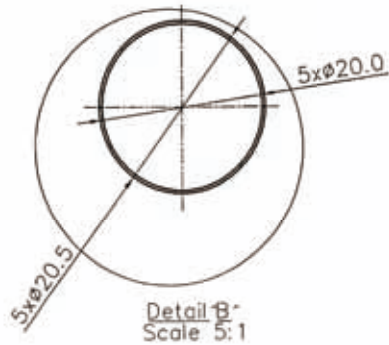


REVISION RECORD

REV	ECN	DESCRIPTION	DRFT	DATE



- NOTE:
- Dimension shall be interpreted per ASME Y14.5-2009
 - Operating temperature: -40°C~+110°C
 - Torque value : M5 , 1.2N·m
 - Standard color number: PANTONE Cool Gray 2U
 - Undimensioned tolerances:

Pitch range in mm		Nominal dimension range in mm						-	∩	□
To	Over	Over	Over	Over	Over	Over	0.1/10	<		
6	10	10	24	30	60	100	150			
±0.15	±0.20	±0.30	±0.30	±0.50	±0.70	±1.00	±1.30	±2'		

6.RoHS Compliance

ITEM	NAME OF PART	MATERIAL	NOTES
5	WATERPROOF RING	RUBBER	UL94V-2
4	SCREW	STEEL	Zn Plated
3	NUT	Copper alloy	
2	COVER	PC	UL94V-2
1	HOUSING	PC	UL94V-2

PART NO.: /	宁波高松电子有限公司 NINGBO DEGSON ELECTRICAL CO., LTD			
APPD:	NAME: DGK11-001-11-00A(H)			
CHKD: <i>xhm/3/17'</i>	TITLE: CUSTOMER DRAWING			
DRFT: MJN 01/02/17"	REV	D0-1	SHEET	1/1
 THIRD ANGLE PROJECTION	DRAWING NO.: DGK11-001-C01		SCALE	1:1
	MM (INCH)		DO NOT SCALE DRAWING	

H
G
F
E
D
C
B
A

H
G
F
E
D
C
B
A