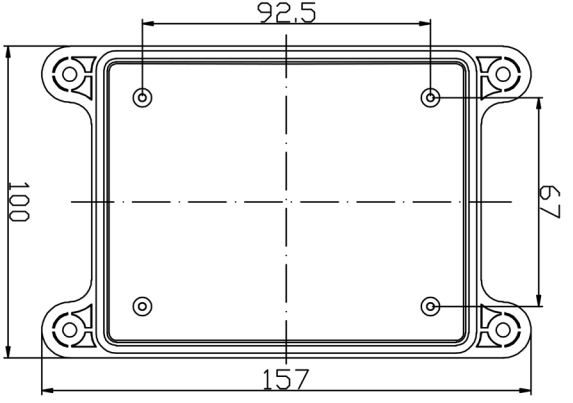
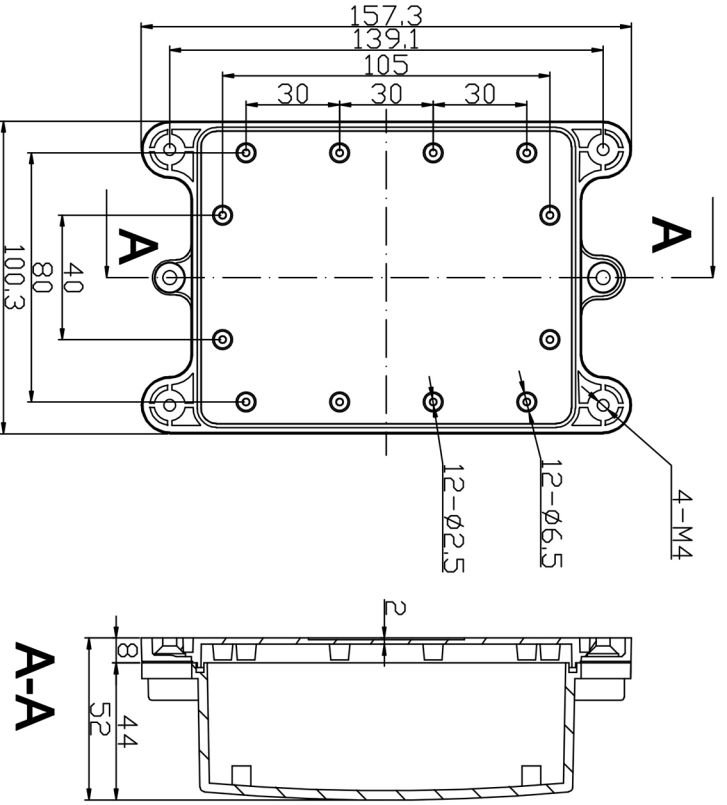


Nominal dimension range in mm:(GB/T 14486-1993-MT3/B)

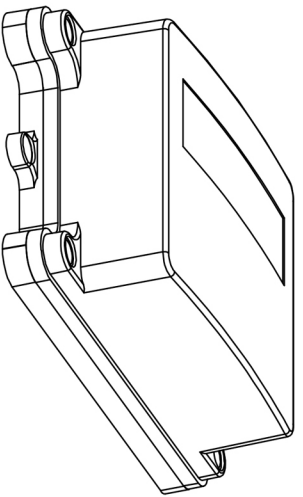
0	3	6	10	14	18	24	30	40	50	65	80	100	120	140	160	180	200	225	250	280	315	355	400	450	500
over	over	over	over	over	over	over	over	over	over	over	over	over	over	over	over	over	over	over	over	over	over	over	over	over	over
to	to	to	to	to	to	to	to	to	to	to	to	to	to	to	to	to	to	to	to	to	to	to	to	to	to
0.32	0.34	0.36	0.38	0.40	0.44	0.48	0.52	0.56	0.60	0.66	0.72	0.78	0.84	0.90	0.98	1.06	1.12	1.20	1.30	1.40	1.50	1.64	1.80	1.94	±2'

REVISION RECORD				
REV	ECN	DESCRIPTION	DFT	DATE



DGK11-015 - YY -00A (H)
 (Series No.) (Color) : 1. (Grey) 2. (Blue) 3. (Black) 4. (Green) 5. (Orange) 6. (Red) 7. (Transparent) 8. (Yellow) 9. (White)

(RoHS) 00A - (Standard)



NOTES:
 1. Dimension shall be interpreted per ASME Y14.5-2009
 2. RoHS Compliance

DETACHED LISTS		
PART NO.:	/	
APPD:	Apple 2016.07.18	
CHKD:		
NAME:	DGK11-015-YY-00A(H)	
TITLE:	CUSTOMER DRAWING	
DRAWING NO.:	DGK11-015-C01	REV DO-1
SCALE:	1/1	SHEET 1/1

Housing ABS
 DEGSON® NINGBO DEGSON ELECTRICAL CO., LTD
 宁波高松电子有限公司

