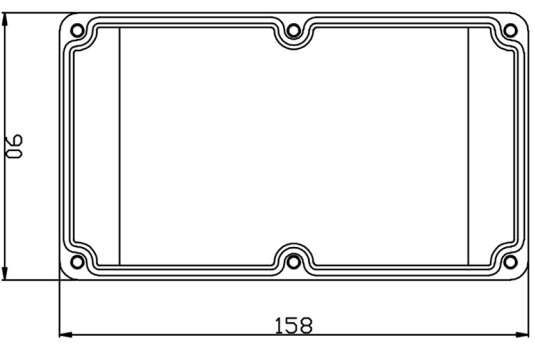
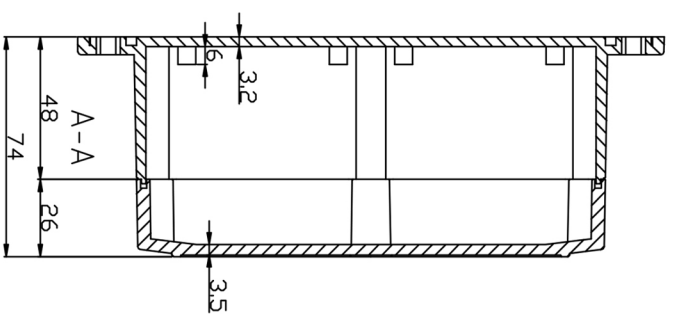
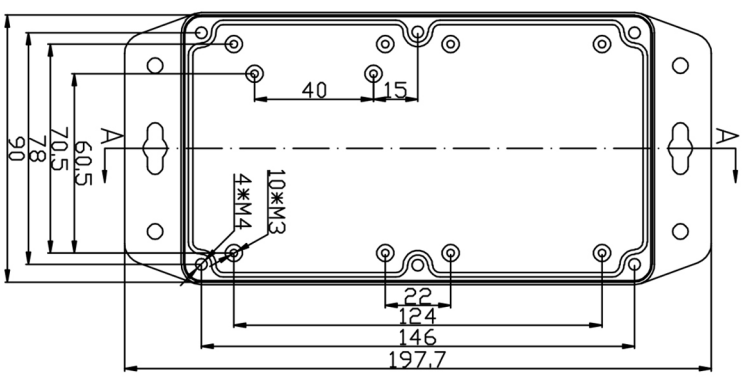
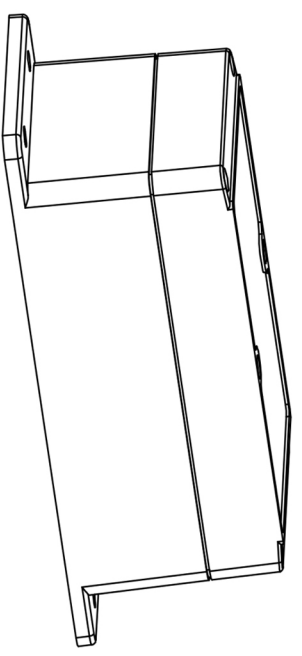


0	over	3	over	6	over	10	over	14	over	18	over	24	over	30	over	40	over	50	over	65	over	80	over	100	over	120	over	140	over	160	over	180	over	200	over	225	over	250	over	280	over	315	over	355	over	400	over	450	over	500	over	±2°
3	to	6	to	10	to	14	to	18	to	24	to	30	to	40	to	50	to	65	to	80	to	100	to	120	to	140	to	160	to	180	to	200	to	225	to	250	to	280	to	315	to	355	to	400	to	450	to	500	to	±2°		
±0.32		±0.34		±0.36		±0.38		±0.40		±0.44		±0.48		±0.52		±0.56		±0.60		±0.66		±0.72		±0.78		±0.84		±0.90		±0.98		±1.06		±1.12		±1.20		±1.30		±1.40		±1.50		±1.64		±1.80		±1.94		±2°		

REVISION RECORD			
REV	ECN	DESCRIPTION	DRFT DATE



DGK11-01Z - YY -00A (H)
 (Series No.) (Color) :1.(Grey) 2.(Blue) 3.(Black) 4.(Green) 5.(Orange) 6.(Red) 7.(Transparent) 8.(Yellow) 9.(White)
 (RohS) 00A-(Standard)



NOTES:
 1.Dimension shall be interpreted per ASME Y14.5-2009
 2..RoHS Compliance

PART NO.: /		Housing		ABS	
NAME: DGK11-017-YY-00A(H)		NINGBO DEGSON ELECTRICAL CO., LTD		宁波高松电子有限公司	
DRFT: Apple 2016.07.26		TITLE: CUSTOMER DRAWING		REV: DO-1	
THIRD ANGLE PROJECTION		DRAWING NO.: DGK11-017-C01		SHEET: 1/1	
DETACHED LISTS		DO NOT SCALE DRAWING		SCALE: /	