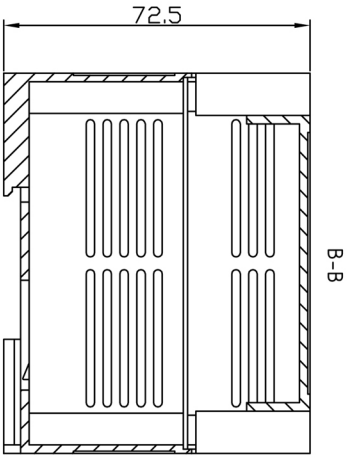
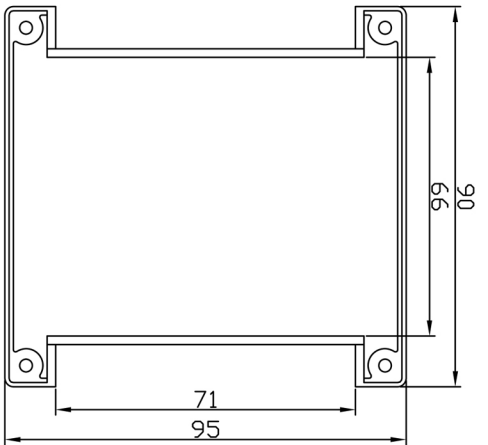
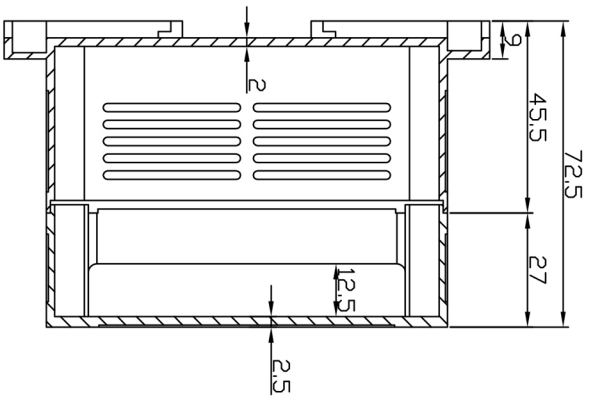
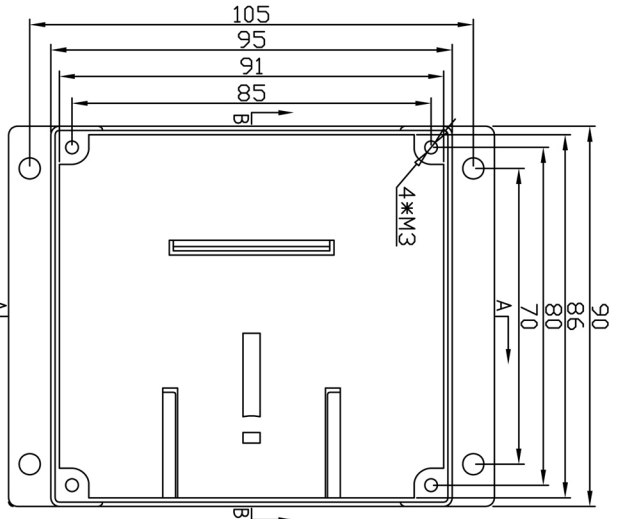
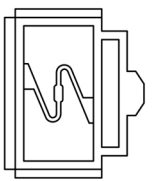


0	3	6	10	14	18	24	30	40	50	65	80	100	120	140	160	180	200	225	250	280	315	355	400	450	500	±2°
to	over	to	over	to	over	to	over	to	over	to	over	to	over	to	over	to	over	to	over	to	over	to	over	to	over	±2°
to	over	to	over	to	over	to	over	to	over	to	over	to	over	to	over	to	over	to	over	to	over	to	over	to	over	±2°
±0.32	±0.34	±0.36	±0.38	±0.40	±0.44	±0.48	±0.52	±0.56	±0.60	±0.66	±0.72	±0.78	±0.84	±0.90	±0.96	±1.06	±1.12	±1.20	±1.30	±1.40	±1.50	±1.64	±1.80	±1.94	±2°	

REVISION RECORD				
REV	ECN	DESCRIPTION	DFT	DATE



安装卡子



- Series No.:
- (Color): 1.(Grey) 2.(Blue) 3.(Black) 4.(Green) 5.(Orange) 6.(Red) 7.(Transparent) 8.(Yellow) 9.(White)
- 00A-(Standard)
- 00A (H)
- 12 (RoHS)

NOTES:
 1.Dimension shall be interpreted per ASME Y14.5-2009
 2.RoHS Compliance

DETACHED LISTS		
PART NO.:	/	
APPD:	Apple 2016.06.18	
CHKD:	THIRD ANGLE PROJECTION	

Housing	ABS	NAME:	DGK12-010-YY-00A(H)
			TITLE: CUSTOMER DRAWING
		DRWING NO.:	DGK12-010-C01
		REV	DO-1
		SHEET	1/1
		SCALE	/

A 8 7 6 5 4 3 2