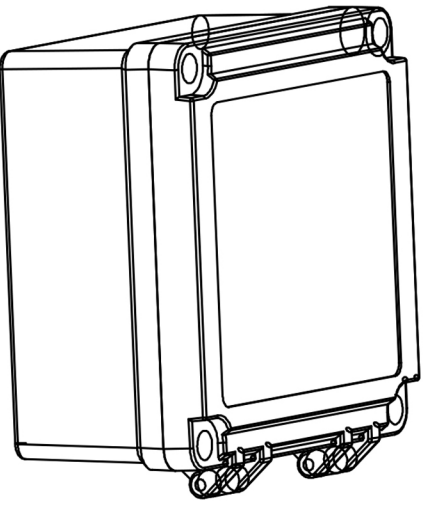
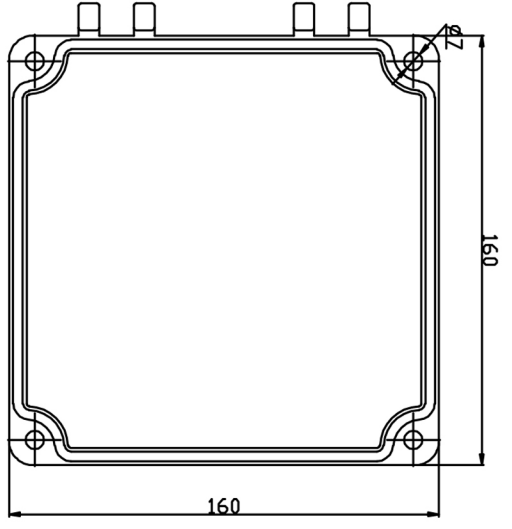
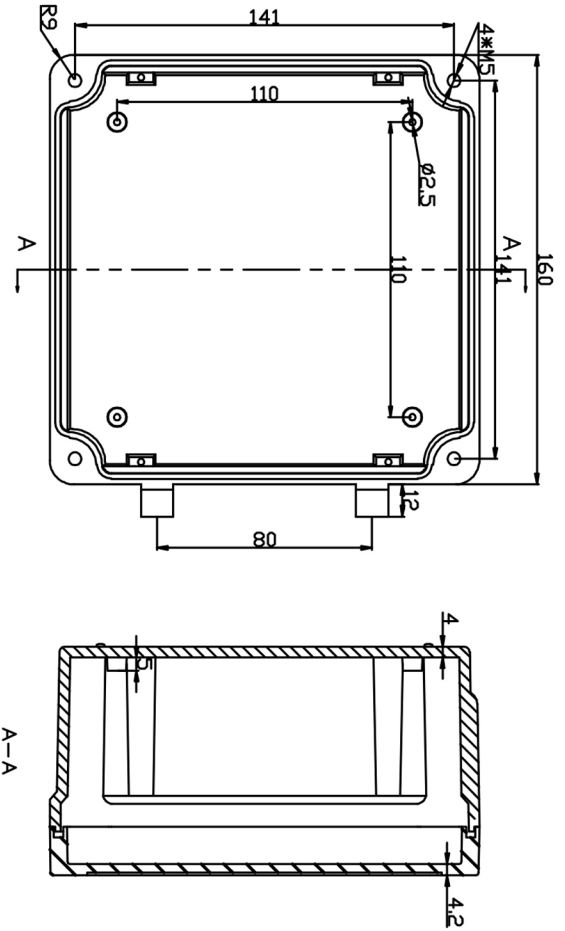


Nominal dimension range in mm(GB/T 14486-1993-MT3/B)

0	over	3	over	6	over	10	over	14	over	18	over	24	over	30	over	40	over	50	over	65	over	80	over	100	over	120	over	140	over	160	over	180	over	200	over	225	over	250	over	280	over	315	over	355	over	400	over	450	over	500	over	±2°
to		to		to		to		to		to		to		to		to		to		to		to		to		to		to		to		to		to		to		to		to		to		to		to		to		±2°		
±0.32		±0.34		±0.36		±0.38		±0.40		±0.44		±0.48		±0.52		±0.56		±0.60		±0.66		±0.72		±0.78		±0.84		±0.90		±0.98		±1.06		±1.12		±1.20		±1.30		±1.40		±1.50		±1.64		±1.80		±1.94		±2°		

REVISION RECORD			
REV	ECN	DESCRIPTION	DRFT DATE



DGK14-004 - YY - 00A (H)
 (Series No.) (Color) : 1. (Grey) 2. (Blue) 3. (Black) 4. (Green) 5. (Orange) 6. (Red) 7. (Transparent) 8. (Yellow) 9. (White)
 (RoHS) 00A - (Standard)

NOTES:
 1. Dimension shall be interpreted per ASME Y14.5-2009
 2. RoHS Compliance

DETACHED LISTS	
PART NO.: /	Housing AL
NAME: DEGSON 宁波高松电子有限公司 NINGBO DEGSON ELECTRICAL CO., LTD	
DRFT: Apple 2016.08.14	TITLE: CUSTOMER DRAWING
CHKD:	DRAWING NO.: DGK14-004-C01
THIRD ANGLE PROJECTION	REV: DO-1
	SHEET: 1/1
	SCALE: /

8 7 6 5 4 3 2 1