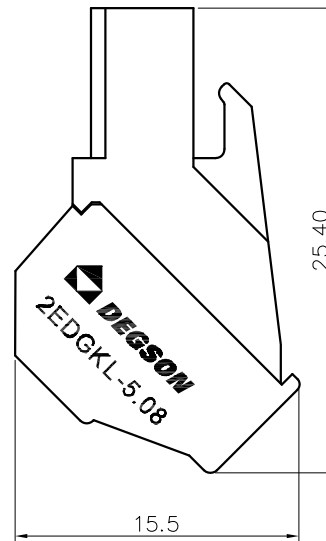
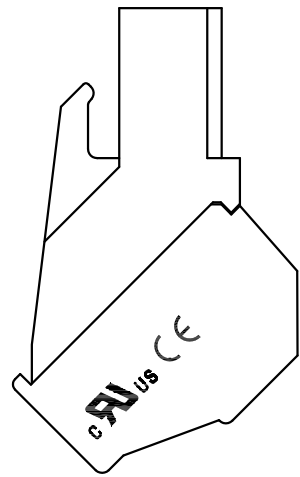
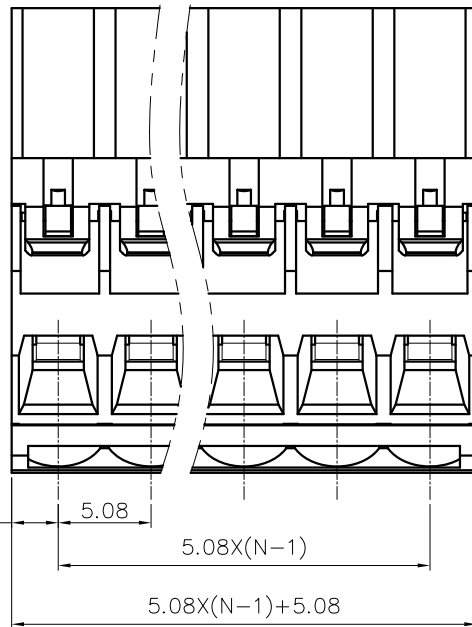
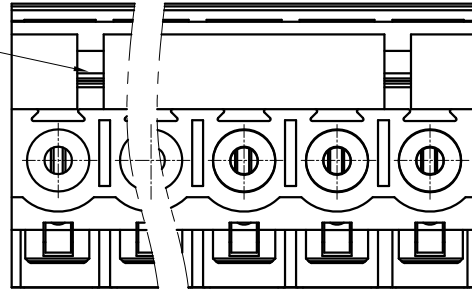


REVISION RECORD				
REV	ECN	DESCRIPTION	DRFT	DATE

02P: Clasp on the left from this view



NOTES1:

- UL Standard
1. Rated voltage/current : 300V / 10A
 2. Withstanding voltage : AC1600V/1Min.
 3. Torque value : M2.5 , 3.54Lb.in
 4. Wire range : 24~12AWG

IEC Standard

1. Pollution Degree	2
Overvoltage Category	III
Rate Impulse Voltage(kV)	4.0KV
Rate Voltage(V)	320V
Rate Current(A)	20A

2. Torque value : M2.5 , 0.4N·m
3. Wire range : 2.5mm²

NOTES2:

1. Dimension shall be interpreted per ASME Y14.5-2009
2. Pitch : 5.08mm, Poles : N=02~22P
3. Stripping length : 7~8mm
4. Operating temperature : -40°C~+105°C
5. Undimensioned tolerances:

Pitch Range In mm	Nominal Dimension Range In mm						0.1/10		
	Over 6 TO 10	Over 10 TO 24	Over 30 TO 60	Over 60 TO 100	Over 100 TO 150	Over 150			
TO 6	±0.15	±0.20	±0.30	±0.30	±0.50	±0.70	±1.00	±1.30	±2'

6. RoHS Compliance

2EDGKL - 5.08 - XXP - 1Y - 00A (H)
 (Series No.) (Pitch) (Poles) (Single Pitch) (RoHS) 00A-(Standard)

(Color): 1.(Grey) 2.(Blue) 3.(Black) 4.(Green) 5.(Orange)
 6.(Red) 7.(Transparent) 8.(Yellow) 9.(White)

DETACHED LISTS	PART NO.:	/			
	APPD:	/			
	CHKD:	/			
	DRFT:	/			
NAME:		NINGBO DEGSON ELECTRICAL CO., LTD			
NAME:		2EDGKL-5.08-XXP-1Y-00A(H)			
TITLE:		CUSTOMER DRAWING	REV	DO	
DRAWING NO.:		/	SHEET	1/1	
THIRD ANGLE PROJECTION		MM (INCH)	DO NOT SCALE DRAWING	SCALE 1:1	