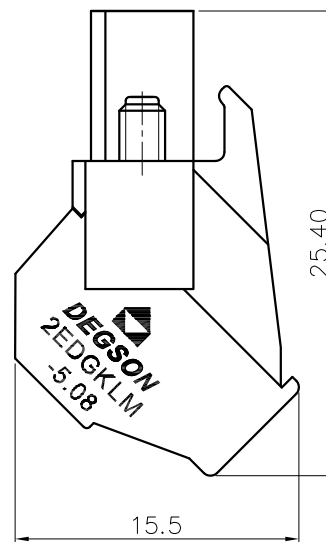
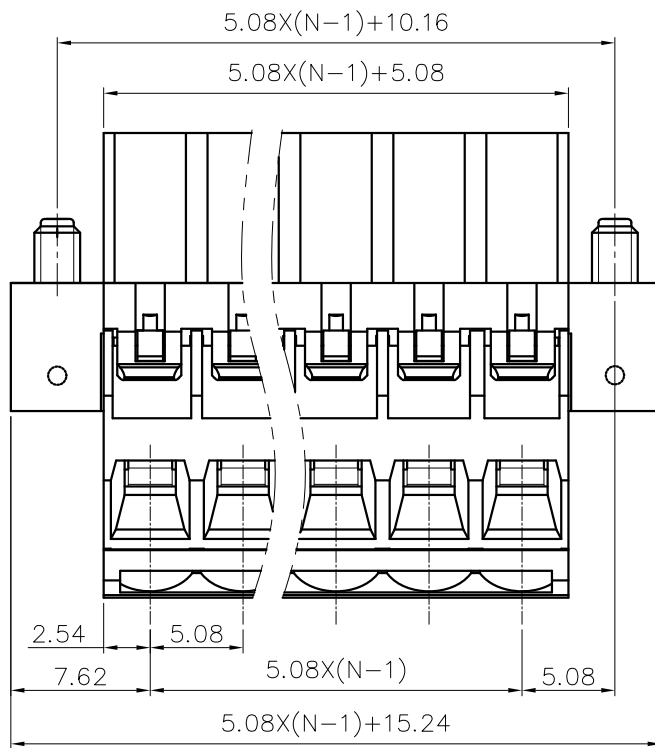
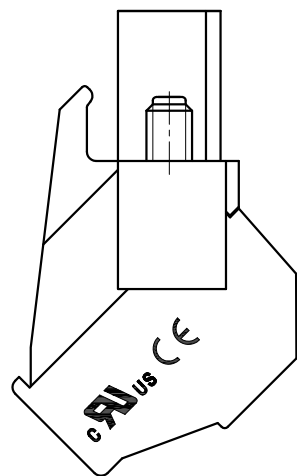
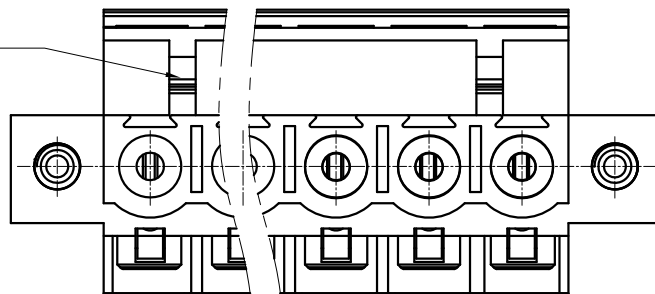


REVISION RECORD				
REV	ECN	DESCRIPTION	DRFT	DATE

O2P: Clasp on the left from this view



NOTES1:

- UL Standard
- Rated voltage/current : 300V / 10A
 - Withstanding voltage : AC1600V/1Min.
 - Torque value : M2.5 , 3.54Lb.in
 - Wire range : 24~12AWG

IEC Standard

1. Pollution Degree	2
Overvoltage Category	III
Rate Impulse Voltage(kV)	4.0KV
Rate Voltage(V)	320V
Rate Current(A)	20A

- Torque value : M2.5 , 0.4N·m
- Wire range : 2.5mm²

NOTES2:

- Dimension shall be interpreted per ASME Y14.5-2009
- Pitch : 5.08mm, Poles : N=02~22P
- Stripping length : 7~8mm
- Operating temperature : -40°C~+105°C
- Undimensioned tolerances:

Pitch Range In mm	Nominal Dimension Range						0.1/10
	Over 6 TO 10	Over 10 TO 24	Over 24 TO 30	Over 30 TO 60	Over 60 TO 100	Over 100 TO 150	
	±0.15	±0.20	±0.30	±0.30	±0.50	±0.70	±1.00
							±1.30
							±2'

- RoHS Compliance

2EDGKLM - 5.08 - XXP - 1Y - 00A (H)
 (Series No.) (Pitch) (Poles) (Single Pitch) (RoHS) 00A-(Standard)
 (Color): 1.(Grey) 2.(Blue) 3.(Black) 4.(Green) 5.(Orange)
 6.(Red) 7.(Transparent) 8.(Yellow) 9.(White)

DETACHED LISTS	PART NO.:	/			
	APPD:	/			
	CHKD:	/			
	DRFT:	/			
					TITLE: CUSTOMER DRAWING
DRAWING NO.: /		SHEET: 1/1		REV: /	
DO NOT SCALE DRAWING		SCALE: 1:1		DO: /	

宁波高松电子有限公司
 NINGBO DEGSON ELECTRICAL CO., LTD

NAME: 2EDGKLM-5.08-XXP-1Y-00A(H)

REV: / DO: /

SHEET: 1/1

SCALE: 1:1