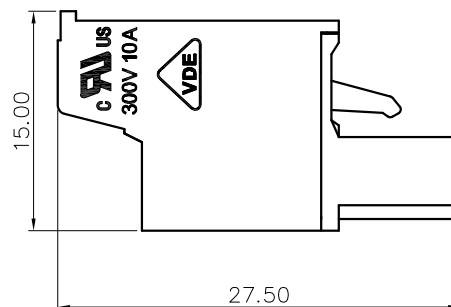
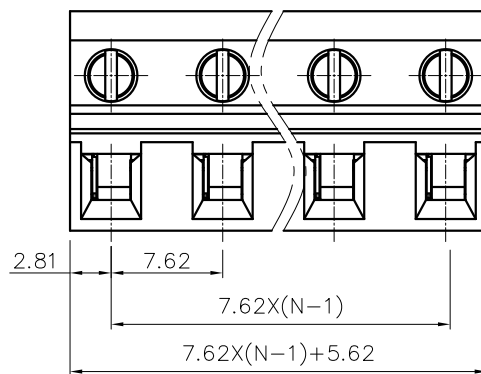
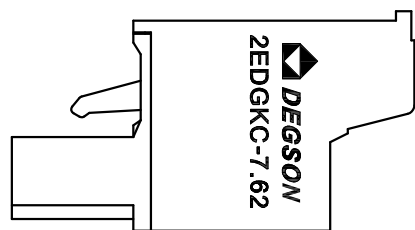
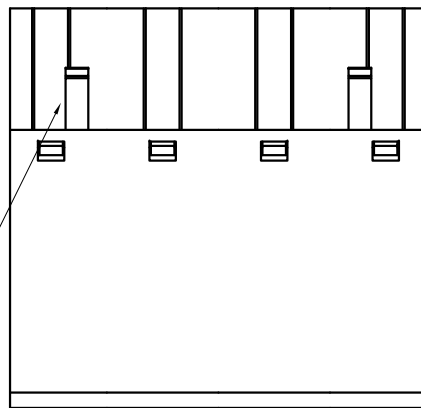


REVISION RECORD				
REV	ECN	DESCRIPTION	DRFT	DATE

H
G
F
E
D
C
B
A

02P: Clasp on the left from this view



NOTES1:

UL Standard

- Rated voltage/current : 300V / 10A
- Withstanding voltage : AC1600V/1Min.
- Torque value : M2.5 , 3.54Lb.in
- Wire range : 28~12AWG

IEC Standard

1. Pollution Degree	2
Overvoltage Category	III
Rate Impulse Voltage(kV)	4.0KV
Rate Voltage(V)	400V
Rate Current(A)	20A

- Torque value : M2.5 , 0.4N·m
- Wire range : 0.2~2.5mm²

NOTES2:

- Dimension shall be interpreted per ASME Y14.5-2009
- Pitch : 7.62mm, Poles : N=02~12P
- Stripping length : 9~10mm
- Operating temperature: -40°C~+105°C
- Undimensioned tolerances:

Pitch range in mm		Nominal dimension range in mm						
TO	Over TO	TO	Over TO	TO	Over TO	TO	Over TO	
6	10	10	24	30	60	100	150	0.1/10
±0.15	±0.20	±0.30	±0.30	±0.50	±0.70	±1.00	±1.30	±2'

6.RoHS Compliance

2EDGKC - 7.62 - XXP - 1Y - 00A (H)
 (Series No.) (Pitch) (Poles) (Single Pitch) (RoHS)
 00A-(Standard)
 (Color):1.(Grey) 2.(Blue) 3.(Black) 4.(Green) 5.(Orange)
 6.(Red) 7.(Transparent) 8.(Yellow) 9.(White)

DETACHED LISTS	PART NO.:	宁波高松电子有限公司 NINGBO DEGSON ELECTRICAL CO., LTD			
	APPD:	NAME: 2EDGKC-7.62-XXP-1Y-00A(H)			
	CHKD:	TITLE: CUSTOMER DRAWING			
	DRFT:	DRAWING NO.:		REV	DO
 THIRD ANGLE PROJECTION		DO NOT SCALE DRAWING		SHEET 1/1	
		MM (INCH)	SCALE	1:1	

H
G
F
E
D
C
B
A