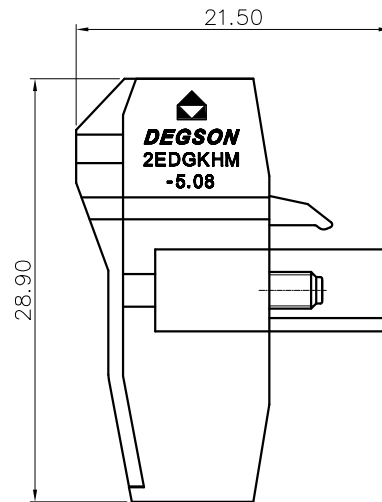
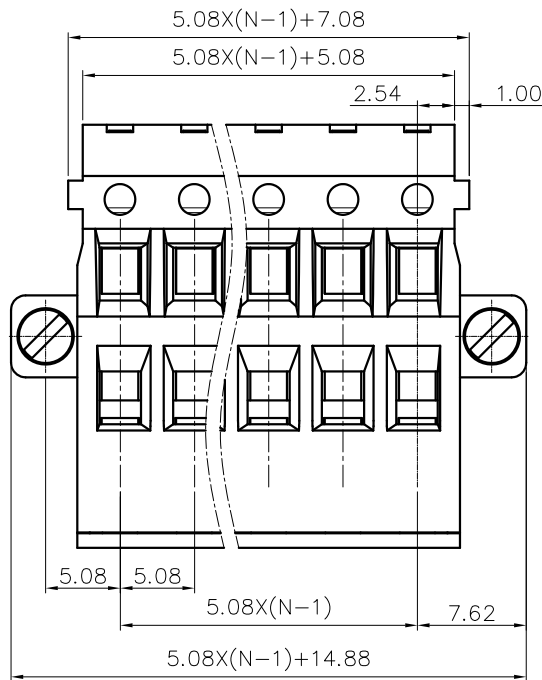
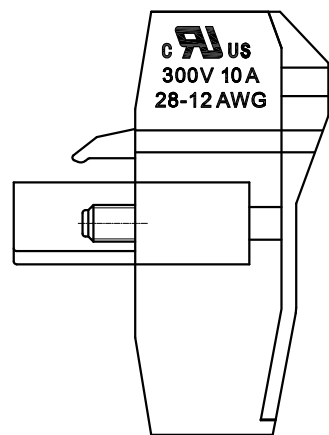
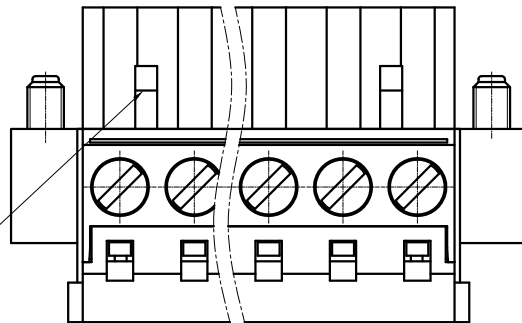


REVISION RECORD				
REV	ECN	DESCRIPTION	DRFT	DATE

O2P: Clasp on the left from this view



2EDGKHM - 5.08 - XXP - 1Y - 00A (H)
 (Series No.) (Pitch) (Poles) (Single Pitch) (RoHS)
 00A-(Standard)
 (Color): 1.(Grey) 2.(Blue) 3.(Black) 4.(Green) 5.(Orange)
 6.(Red) 7.(Transparent) 8.(Yellow) 9.(White)

NOTES1:

UL Standard

- Rated voltage/current : 300V / 10A
- Withstanding voltage : AC1600V/1Min.
- Torque value : M2.5 , 3.54Lb.in
- Wire range : 28~12AWG

IEC Standard

1. Pollution Degree	2
Overvoltage Category	III
Rate Impulse Voltage(KV)	4.0KV
Rate Voltage(V)	320V
Rate Current(A)	20A

- Torque value : M2.5 , 0.4N·m
- Wire range : 2.5mm²

NOTES2:

- Dimension shall be interpreted per ASME Y14.5-2009
- Pitch : 5.08mm, Poles : N=02~12P
- Stripping length : 7~8mm
- Operating temperature: -40°C~+105°C
- Undimensioned tolerances:

Pitch range in mm	Nominal dimension range in mm						-0.1/0		
	Over 6 TO 10	Over 10 TO 24	Over 30 TO 60	Over 60 TO 100	Over 100 TO 150	Over 150			
	±0.15	±0.20	±0.30	±0.30	±0.50	±0.70	±1.00	±1.30	±2*

6.RoHS Compliance

DETACHED LISTS	PART NO.:	/			
	APPD:	/			
	CHKD:	/			
	DRFT:	/			
	<p>THIRD ANGLE PROJECTION</p>		<p>DO NOT SCALE DRAWING</p>		
<p>NINGBO DEGSON ELECTRICAL CO., LTD</p>		<p>NAME: 2EDGKHM-5.08-XXP-1Y-00A(H)</p>		<p>REV: /</p> <p>DO: /</p>	
<p>TITLE: CUSTOMER DRAWING</p>		<p>REVISION: /</p>	<p>SHEET: /</p>	<p>SCALE: 1:1</p>	