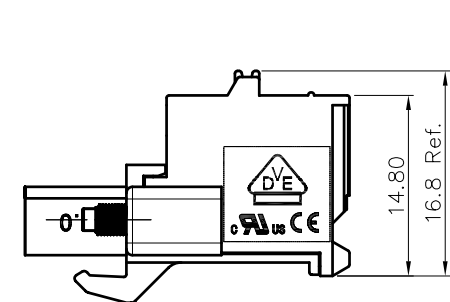
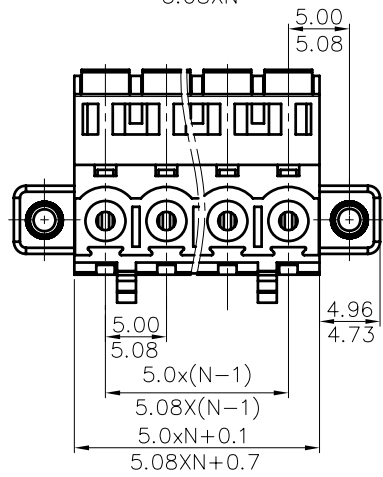
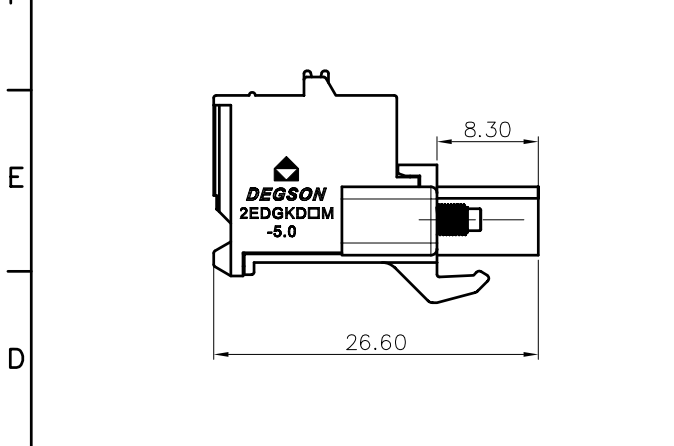
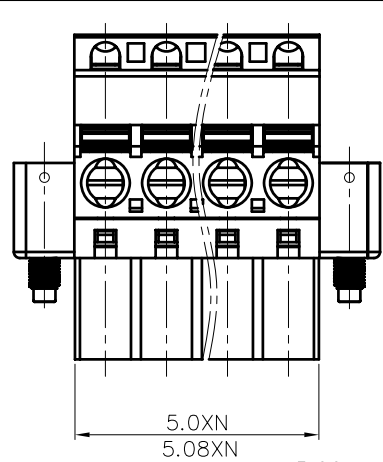
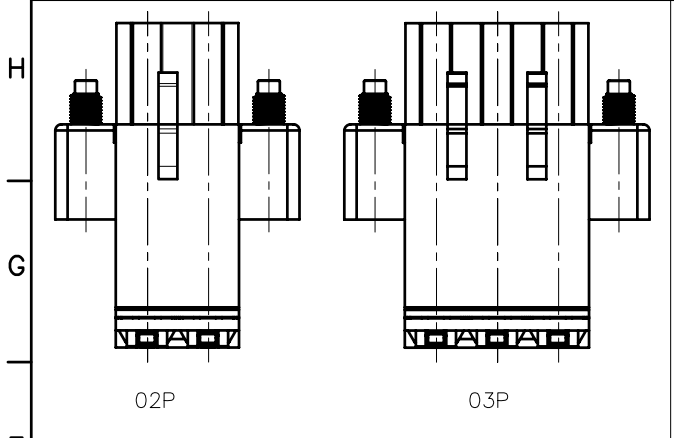


REVISION RECORD				
REV	ECN	DESCRIPTION	DRFT	DATE



2EDGKDBM - 5.0/5.08 - XXP - 1Y - 00A (H)

(Series No.) (Pitch) (Poles) (Single Pitch) (Color): 1.(Grey)
 2.(Blue)
 3.(Black)
 4.(Green)
 5.(Orange)
 6.(Red)
 7.(Transparent)
 8.(Yellow)
 9.(White)

(RoHS)
 00A-(Standard)

NOTES1:
 UL Standard
 1.Rated Voltage/Current : 300V / 10A
 2.Withstanding Voltage : AC1600V/1Min.
 3.Wire Range : 26~12AWG

NOTES2:
 1.Dimension shall be interpreted per ASME Y14.5-2009
 2.Pitch : 5.00/5.08mm, Poles : N=02~24P/02~16P
 3.Stripping length : 9~10mm
 4.Operating temperature: -40°C~+105°C
 5.Undimensioned Tolerances:

IEC Standard

1. Pollution Degree	2
Overvoltage Category	III
Rate Impulse Voltage(KV)	4.0KV
Rate Voltage(V)	320V
Rate Current(A)	20A

Pitch range in mm		Nominal dimension range in mm				-	∩	∟
To	Over	To	Over	To	Over			
6	10	10	30	30	60	100	150	0.1/10
6	10	24	30	60	100	150		<
								±2'

2.Wire Range : 0.2~2.5mm²

6.RoHS Compliance

DETACHED LISTS	PART NO.:	/			宁波高松电子有限公司 NINGBO DEGSON ELECTRICAL CO., LTD	
	APPD:	/			NAME: 2EDGKDBM-5.0/5.08-XXP-1Y-00A(H)	
	CHKD:	/			TITLE: CUSTOMER DRAWING	
	DRFT:	/			REV	DO
THIRD ANGLE PROJECTION		DRAWING NO.:		SHEET		
		MM (INCH)		1/1		
		DO NOT SCALE DRAWING		SCALE		
				1:1		