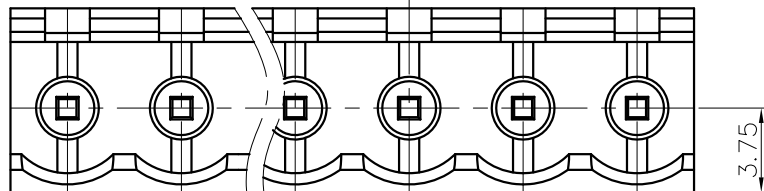


REVISION RECORD				
REV	ECN	DESCRIPTION	DRFT	DATE



NOTES1:

UL Standard

1. Rated voltage/current : 300V / 15A
2. Withstanding voltage : AC1600V/1Min.

IEC Standard

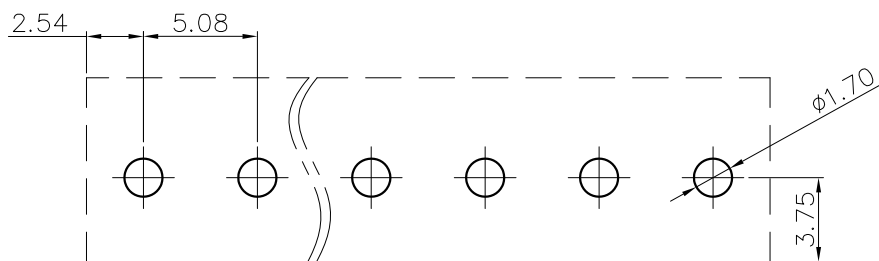
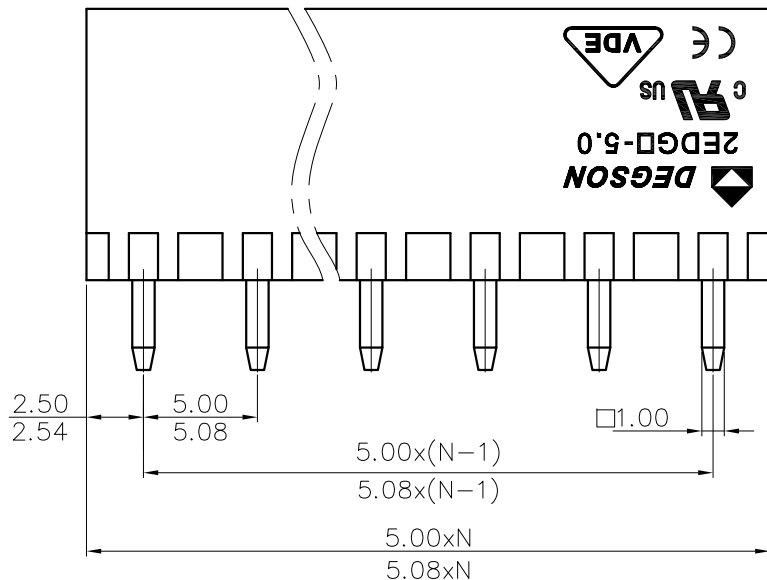
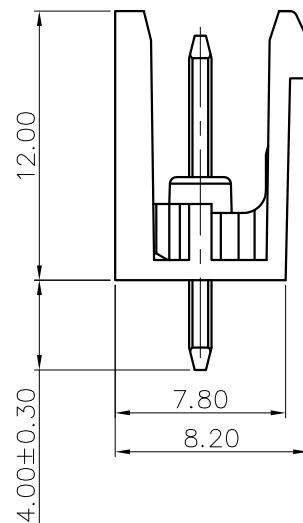
1. Pollution degree	2
Overvoltage category	III
Rate impulse voltage(KV)	4.0KV
Rate voltage(V)	320V
Rate current(A)	20A

NOTES2:

1. Dimension shall be interpreted per ASME Y14.5-2009
2. Pitch : 5.0/5.08mm, Poles : N=02~24P
3. Operating temperature: -40°C~+105°C
4. Undimensioned tolerances:

Pitch range in mm		Nominal dimension range in mm						
TO	Over	Over	TO	Over	Over	Over	0.1/10 /	
6	10	10	24	30	60	100		150
±0.15	±0.20	±0.30	±0.30	±0.50	±0.70	±1.00	±1.30	±2*

5. RoHS Compliance



PCB LAYOUT

2EDGV - 5.0/5.08 - XXP - 1Y - 00A (H)  
 (Series No.) (Pitch) (Poles)(Single Pitch)(Color) : 1. (Grey)  
 2. (Blue)  
 3. (Black)  
 4. (Green)  
 5. (Orange)  
 6. (Red)  
 7. (Transparent)  
 8. (Yellow)  
 9. (White)  
 00A-(Standard) (RoHS)

DETACHED LISTS	PART NO.:	/			
	APPD:	/			
	CHKD:	/			
	DRFT:	/			
	NAME:	2EDGV-5.0/5.08-XXP-1Y-00A(H)			
	TITLE:	CUSTOMER DRAWING	REV	D0	
	DRAWING NO.:	/	SHEET	1/1	
	THIRD ANGLE PROJECTION	MM (INCH)	DO NOT SCALE DRAWING	SCALE	1:1

宁波高松电子有限公司  
**DEGSON** NINGBO DEGSON ELECTRICAL CO., LTD