

REVISION RECORD

| REV | ECN | DESCRIPTION | DRFT | DATE |
|-----|-----|-------------|------|------|
|-----|-----|-------------|------|------|

NOTES1:

UL Standard

1. Rated voltage/current : 300V / 15A
2. Withstanding voltage : AC1600V/1Min.
3. Torque value : M3 , 4.43Lb.in
4. Wire range : 28~12AWG

IEC Standard

| 1. | Pollution degree | 2 | 2 | 3 |
|----|--------------------------|------|-------|-------|
| | Overvoltage category | II | III | III |
| | Rate impulse voltage(KV) | 4.0K | 4.0KV | 4.0KV |
| | Rate voltage(V) | 630V | 320V | 250V |
| | Rate current(A) | 12A | | |

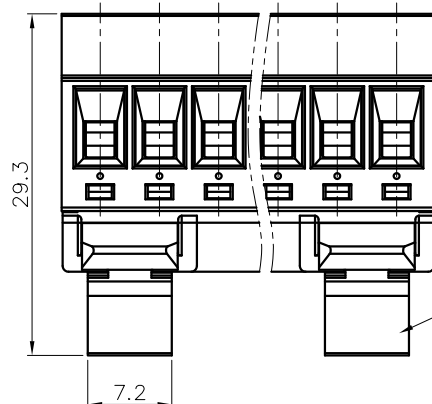
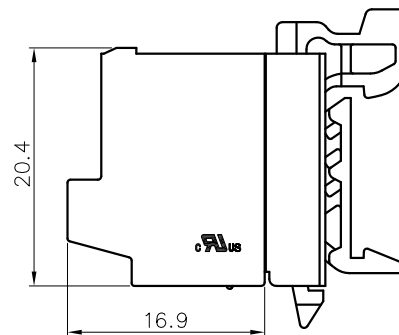
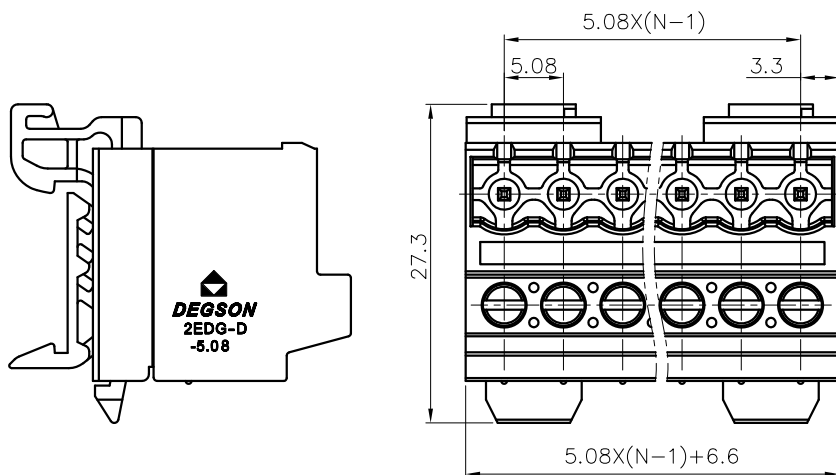
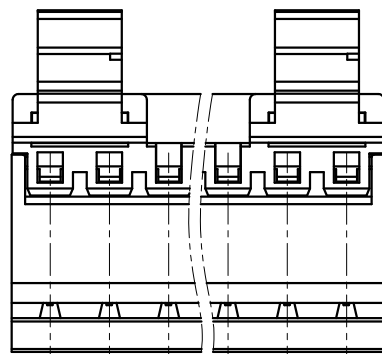
2. Torque value : M3 , 0.5N·m
3. Wire range : 0.2~2.5mm²

NOTES2:

1. Dimension shall be interpreted per ASME Y14.5-2009
2. Pitch : 5.08mm, Poles : N=02P~24P
3. Stripping length : 7~8mm
4. Operating temperature: -40°C~+105°C
5. Undimensioned tolerances:

| Pitch range in mm | | Nominal dimension range in mm | | | | | - | ∩ | ∇ |
|-------------------|-------|-------------------------------|-------|-------|-------|-------|--------|-----|---|
| TO | Over | Over | Over | Over | Over | Over | 0.1/10 | | |
| 6 | 10 | 10 | 30 | 60 | 100 | 150 | | | |
| ±0.15 | ±0.20 | ±0.30 | ±0.30 | ±0.50 | ±0.70 | ±1.00 | ±1.30 | ±2* | |

6. RoHS Compliance



| Poles | Q"TY |
|--------|------|
| 2P~4P | 1pcs |
| 5P~9P | 2pcs |
| 10~24P | 3pcs |

2EDG - DK - 5.08 - XXP - 1Y - 00A (H)
 (Series No.) (Pitch) (Poles) (Single Pitch) (Color):1.(Grey)
 2.(Blue)
 3.(Black)
 4.(Green)
 5.(Orange)
 6.(Red)
 7.(Transparent)
 8.(Yellow)
 9.(White)

| | | | | | | |
|----------------|------------------------|----------------------|----------------------------------|-------|---|--|
| DETACHED LISTS | PART NO.: | / | | | 宁波高松电子有限公司 NINGBO DEGSON ELECTRICAL CO., LTD | |
| | APPD: | / | NAME: 2EDG-DK-5.08-XXP-1Y-00A(H) | | | |
| | CHKD: | / | TITLE: CUSTOMER DRAWING | | | |
| | DRFT: | / | REV | | DO | |
| | THIRD ANGLE PROJECTION | | DRAWING NO.: | | SHEET | |
| | | / | | 1/1 | | |
| | | MM (INCH) | | SCALE | | |
| | | DO NOT SCALE DRAWING | | 1:1 | | |