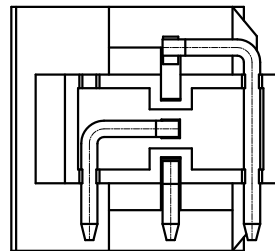
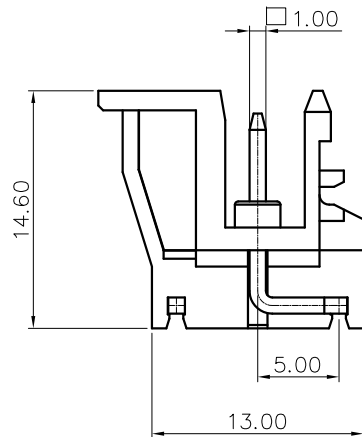
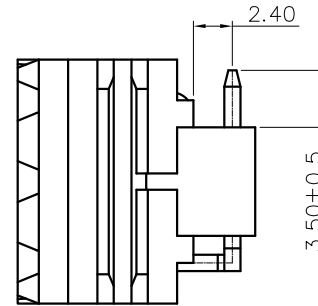
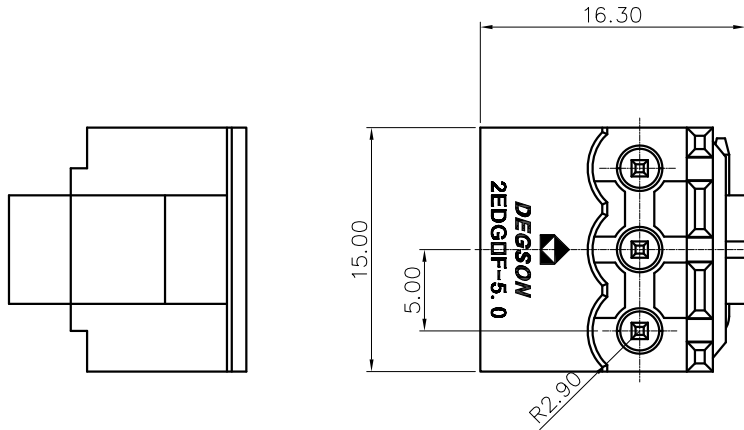


REVISION RECORD

REV	ECN	DESCRIPTION	DRFT	DATE
-----	-----	-------------	------	------



NOTES1:

UL Standard

- 1. Rated voltage/current : 300V / 15A
- 2. Withstanding voltage : AC1600V/1Min.

IEC Standard

1.

Pollution degree	2
Overtoltage category	III
Rate impulse voltage(KV)	4.0KV
Rate voltage(V)	320V
Rate current(A)	20A

NOTES2:

- 1. Dimension shall be interpreted per ASME Y14.5-2009
- 2. Pitch : 5.00mm, Poles : N=03P
- 3. Operating temperature: -40°C~+130°C
- 4. Undimensioned tolerances:

Pitch range in mm	Nominal dimension range in mm						-	∩	∇
	Over 6 TO 6	Over 10 TO 10	Over 24 TO 24	Over 30 TO 30	Over 60 TO 60	Over 100 TO 100			
	±0.15	±0.20	±0.30	±0.30	±0.50	±0.70	±1.00	±1.30	±2'

5. RoHS Compliance

2EDGLF-THR - 5.0 - 03P - 13 - 00A (H)
 (Series No.) (Pitch) (Poles) (Single Pitch) (Color): 3.(Black)
 (RoHS)
 00A-(Standard)

DETACHED LISTS	PART NO.:	/			
	APPD:	/			
	CHKD:	/			
	DRFT:	/			
	NAME:		NINGBO DEGSON ELECTRICAL CO., LTD		
	2EDGLF-THR-5.0-03P-1Y-00A(H)				
	TITLE:		CUSTOMER DRAWING	REV	DO
	DRAWING NO.:		/	SHEET	1/1
	THIRD ANGLE PROJECTION		MM (INCH)	DO NOT SCALE DRAWING	SCALE 1:1