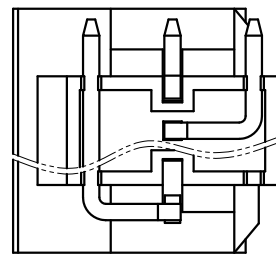
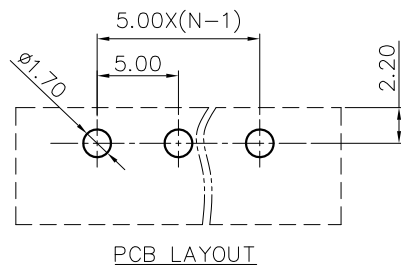
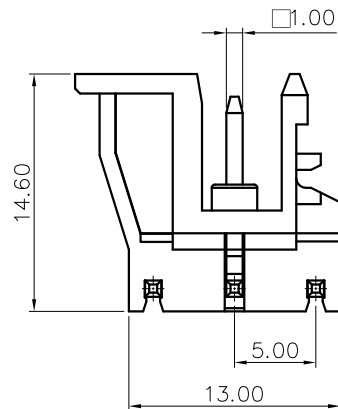
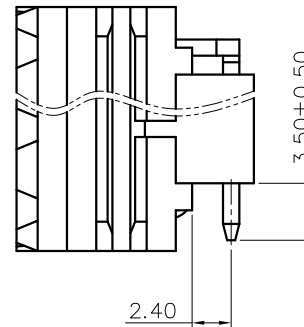
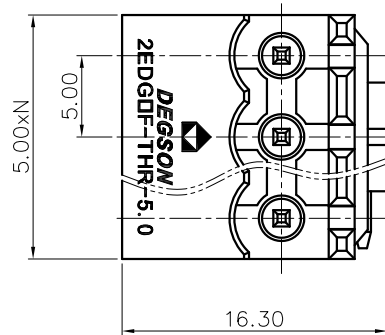
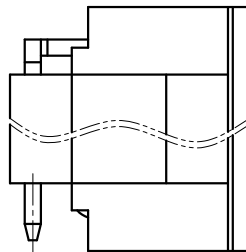


REVISION RECORD

REV	ECN	DESCRIPTION	DRFT	DATE
-----	-----	-------------	------	------



NOTES1:

UL Standard

- 1.Rated voltage/current : 300V / 15A
- 2.Withstanding voltage : AC1600V/1Min.

IEC Standard

1.

Pollution degree	2
Overtoltage category	III
Rate impulse voltage(KV)	4.0KV
Rate voltage(V)	320V
Rate current(A)	20A

NOTES2:

- 1.Dimension shall be interpreted per ASME Y14.5-2009
- 2.Pitch : 5.00mm, Poles : N=02~04P
- 3.Operating temperature: -40°C~+120°C
- 4.Undimensioned tolerances:

Pitch range in mm		Nominal dimension range in mm			Tolerances	
TO	Over TO	TO	Over TO	Over TO	Over TO	
6	10	6	30	60	150	0.1/10
6	10	24	30	60	150	<
±0.15	±0.20	±0.30	±0.30	±0.50	±0.70	±1.00
						±1.30
						±2'

5.RoHS Compliance

2EDGRF-THR - 5.0 - XXP - 1Y - 00A (H)
 (Series No.) (Pitch) (Poles) (Single Pitch) (Color):1.(Grey)
 3.(Black)
 5.(Orange)

DETACHED LISTS	PART NO.:	/			
	APPD:	/			
	CHKD:	/			
	DRFT:	/			
	NAME:	2EDGRF-THR-5.0-XXP-1Y-00A(H)			
TITLE:	CUSTOMER DRAWING	REV	D0		
DRAWING NO.:	/	SHEET	1/1		
THIRD ANGLE PROJECTION	MM (INCH)	DO NOT SCALE DRAWING	SCALE	1:1	

宁波高松电子有限公司
 NINGBO DEGSON ELECTRICAL CO., LTD

2EDGRF-THR-5.0-XXP-1Y-00A(H)

CUSTOMER DRAWING

DRAWING NO.:

MM (INCH)

DO NOT SCALE DRAWING

SCALE 1:1