

REVISION RECORD				
REV	ECN	DESCRIPTION	DRFT	DATE

NOTES1:
 UL Standard
 1. Rated Voltage/Current : 300V / 30A
 2. Withstanding Voltage : AC1600V/1Min.
 3. Torque Value : M3 , 4.43Lb.in
 4. Wire Range : 30~10AWG

IEC Standard

1. Pollution Degree	2
Overvoltage Category	III
Rate Impulse Voltage(KV)	4.0KV
Rate Voltage(V)	400V
Rate Current(A)	32A

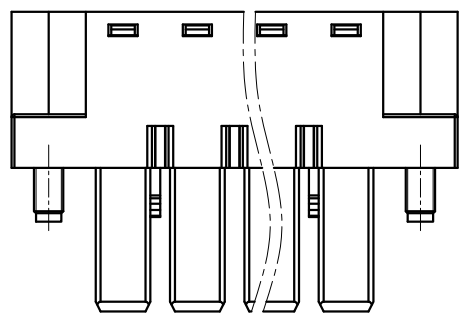
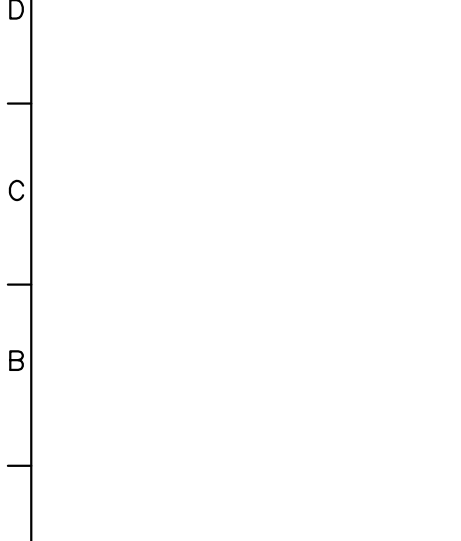
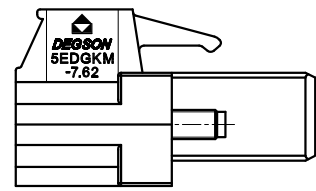
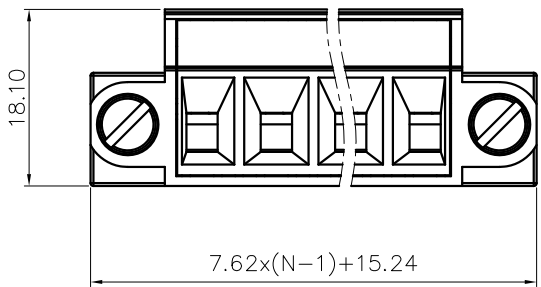
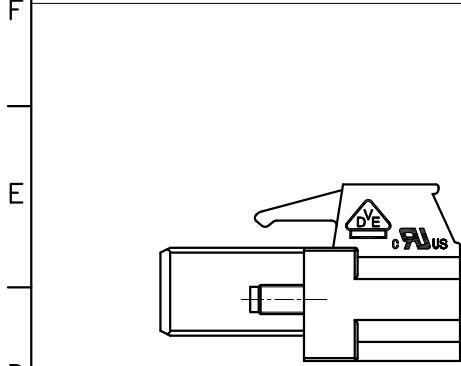
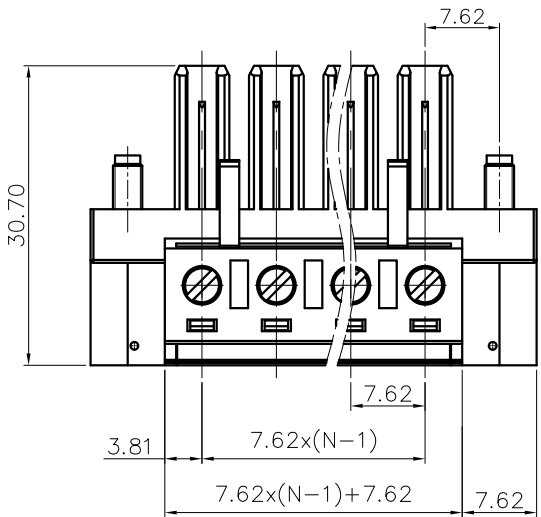
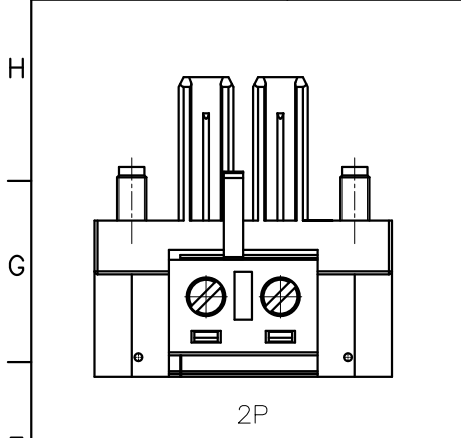
2. Torque Value : M3 , 0.5N.m
 3. Wire Range : 0.2~4.0mm²

NOTES2:
 1. Dimension shall be interpreted per ASME Y14.5-2009
 2. Pitch : 7.62mm, Poles : N=02~12P
 3. Stripping length : 7mm
 4. Operating temperature: -40°C~+105°C
 5. Undimensioned Tolerances:

Pitch Range In mm		Nominal Dimension Range In mm								
TO	Over	TO	Over	TO	Over					
6	10	10	30	60	100	150	0.1/10			
	24	30	60	100	150		<			
		±0.15	±0.20	±0.30	±0.30	±0.50	±0.70	±1.00	±1.30	±2*

6. RoHS Compliance

5EDGKM - 7.62 - XXP - 1Y - 00A (H)
 (Series No.) (Pitch) (Poles) (Single Pitch) (Color):1.(Grey)
 2.(Blue)
 3.(Black)
 4.(Green)
 5.(Orange)
 6.(Red)
 7.(Transparent)
 8.(Yellow)
 9.(White)



DETACHED LISTS	PART NO.:	/		
	APPD:	/		
	CHKD:	/		
	DRFT:	/		
	DRAWING NO.:		/	
THIRD ANGLE PROJECTION		MM (INCH)	DO NOT SCALE DRAWING	SCALE
		REV	DO	
		SHEET	1/1	

宁波高松电子有限公司
 NINGBO DEGSON ELECTRICAL CO., LTD

NAME: 5EDGKM-7.62-XXP-1Y-00A(H)

TITLE: CUSTOMER DRAWING

REV: / DO: /

SHEET: 1/1 SCALE: 1:1