

REVISION RECORD				
REV	ECN	DESCRIPTION	DRFT	DATE

NOTES1:

UL Standard

1. Rated voltage/current : 600V / 52A
2. Withstanding voltage : AC2200V/1Min.
3. Torque value : M4 , 10.53Lb.in
4. Wire range : 20~6AWG

IEC Standard

1. Pollution Degree	3
Overvoltage Category	III
Rate Impulse Voltage(kV)	6.0KV
Rate Voltage(V)	600V
Rate Current(A)	57A

2. Torque value : M4 , 1.2N·m
3. Wire range : 0.5~10mm<sup>2</sup>

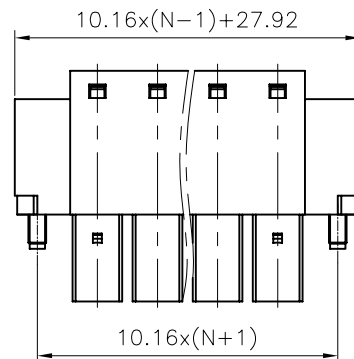
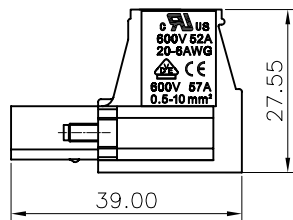
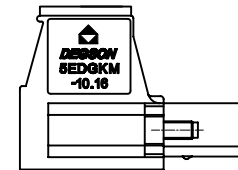
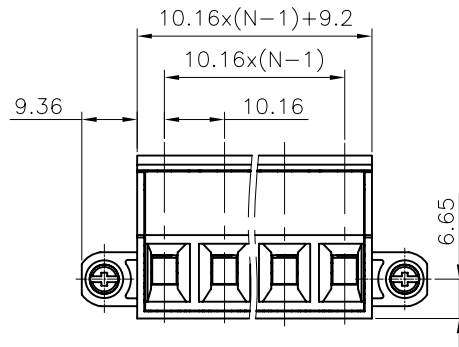
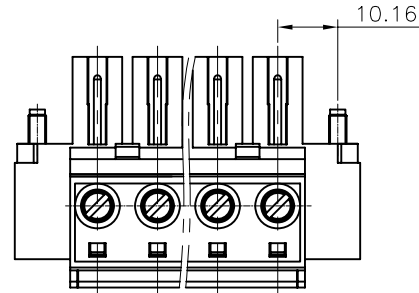
NOTES2:

1. Dimension shall be interpreted per ASME Y14.5-2009
2. Pitch : 7.62mm, Poles : N=02~08P
3. Stripping length : 7~8mm
4. Operating temperature: -40°C~+105°C
5. Undimensioned tolerances:

Pitch range in mm		Nominal dimension range in mm				0.1/10
TO 6	Over 6 TO 10	Over 10 TO 24	Over 30 TO 60	Over 60 TO 100	Over 100 TO 150	
±0.15	±0.20	±0.30	±0.30	±0.50	±0.70	±1.00
						±1.30
						±2'

6. RoHS Compliance

5EDGKM - 10,16 - XXP - 1Y - 00A (H)  
 (Series No.) (Pitch) (Poles) (Single Pitch) (Color):1. (Grey)  
 (RoHS)  
 2. (Blue)  
 3. (Black)  
 4. (Green)  
 5. (Orange)  
 6. (Red)  
 7. (Transparent)  
 8. (Yellow)  
 9. (White)



DETACHED LISTS	PART NO.:	/			
	APPD:	/			
	CHKD:	/			
	DRFT:	/			
	THIRD ANGLE PROJECTION		DRAWING NO.:		/
		MM (INCH)		DO NOT SCALE DRAWING	
		TITLE: CUSTOMER DRAWING		REV	DO
				SHEET	1/1
		SCALE		1:1	

宁波高松电子有限公司  
 NINGBO DEGSON ELECTRICAL CO., LTD

NAME: 5EDGKM-10.16-XXP-1Y-00A(H)

TITLE: CUSTOMER DRAWING REV DO

DRAWING NO.: / SHEET 1/1

MM (INCH) DO NOT SCALE DRAWING SCALE 1:1